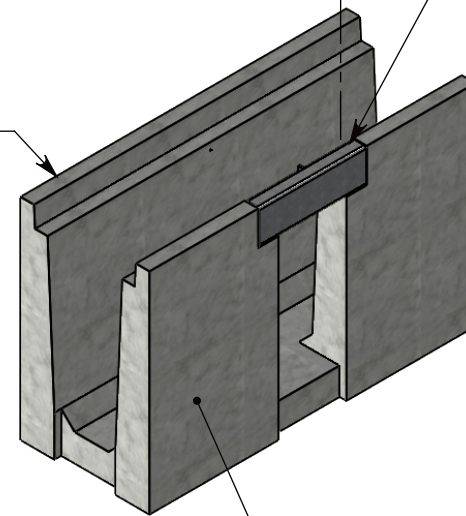


3/8-16 UNC X 2.50" LG HEX HD BOLT, GRADE 8  
 P/N: HHB.38-2.5G8 QTY: 2

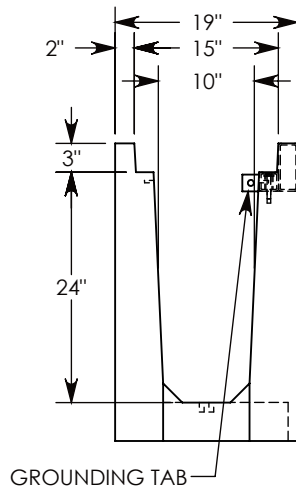
3/8" STD WASHER - 1" OD  
 P/N: WSR.38-1 QTY: 2

REMOVABLE COVER  
 SUPPORT RAIL  
 P/N: CST-10

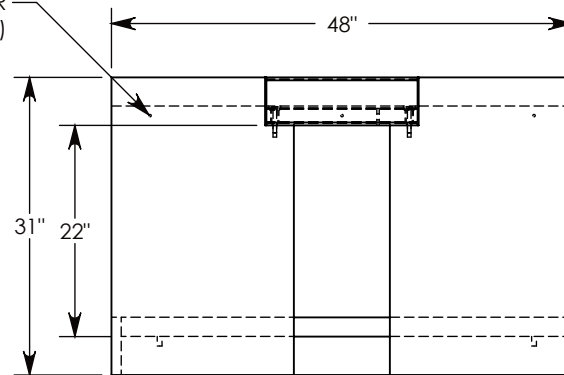
FRP TOP RAIL



STEEL REINFORCED CONCRETE



$\varnothing 1/4"$  INSERT FOR  
 CABLE CLIPS (3X)



AASHTO H-20 RATED - 32,000 LB. SINGLE AXLE LOAD

**DRAWN BY: SAMUEL CALLAHAN**

**DATE: 7/26/2019**

**REVISION LEVEL: A**

**WEIGHT:**

**1130 LBS.**

**MATERIAL:**

**NOTED**



**DESCRIPTION:**

**HEAVY TRAFFIC UNIVERSAL CHANNEL**

DIMENSIONS ARE IN INCHES  
 TOLERANCES:  
 FRACTIONAL:  $\pm 1/8"$   
 ANGULAR:  $\pm 2^\circ$

CONTACT INFORMATION:  
 EMAIL: INFO@CONCASTINC.COM  
 PHONE: (507) 732-4095  
 FAX: (507) 732-4094

SHEET 1 OF 1

**PART NUMBER:**

**HTFU1024 (0X10)**