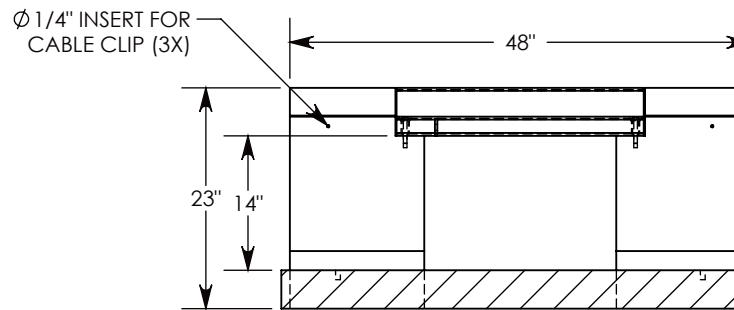
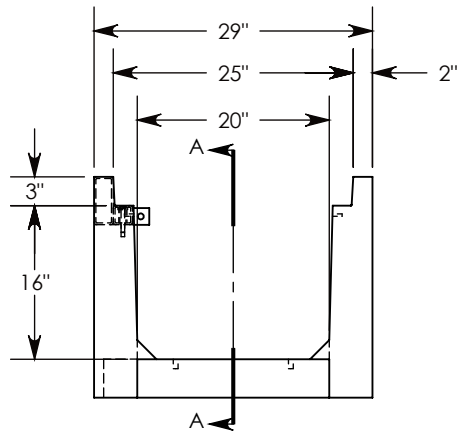
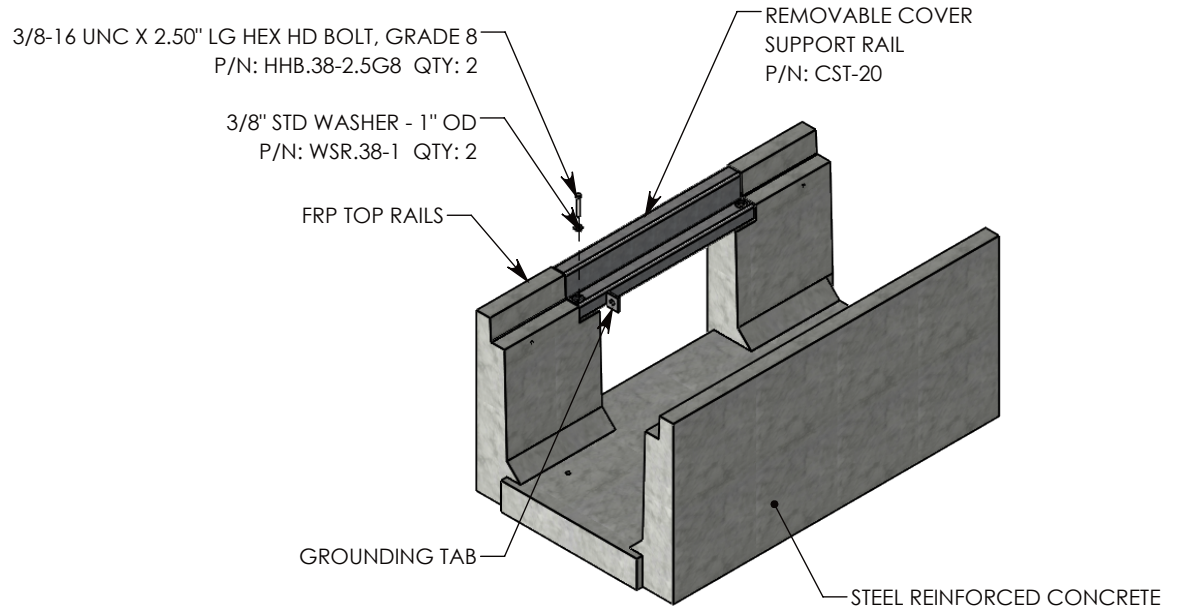
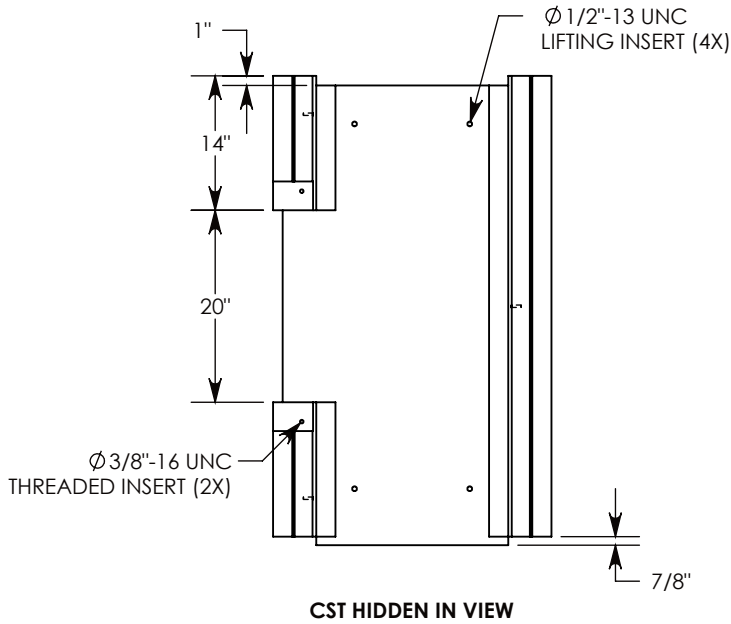


REV. A: RAL-1/10/18-UPDATED THE COVER SUPPORT RAIL
 REV. B: RAL-7/3/2019-UPDATED INSERTS FOR CABLE CLIPS
 REV. C - SIC - 7/25/2019 - UPDATED VIEWS AND DIMENSIONS



SECTION A-A

AASHTO H-20 RATED - 32,000 LB. SINGLE AXLE LOAD

DRAWN BY: ROSS LAGER

DATE: 7/25/2019

REVISION LEVEL: C

WEIGHT:

952 LBS.

MATERIAL:

NOTED

CONCAST
 1010 NORTH STAR DRIVE
 P.O. BOX 69
 ZUMBROTA, MN 55992-0069

DESCRIPTION:

HEAVY TRAFFIC UNIVERSAL CHANNEL

DIMENSIONS ARE IN INCHES
 TOLERANCES:
 FRACTIONAL: $\pm 1/8"$
 ANGULAR: $\pm 2^\circ$

CONTACT INFORMATION:
 EMAIL: INFO@CONCASTINC.COM
 PHONE: (507) 732-4095
 FAX: (507) 732-4094

SHEET 1 OF 1

PART NUMBER:

HTFU2016 (0X20)