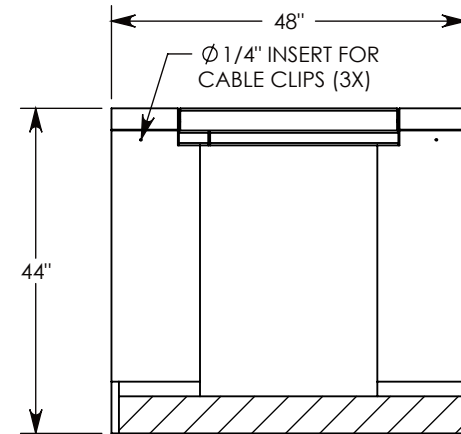
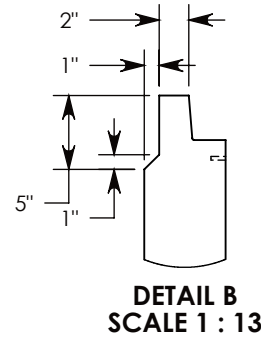
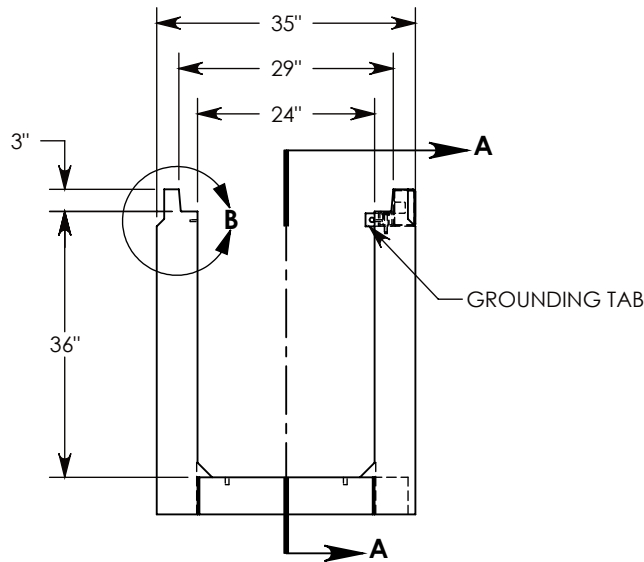
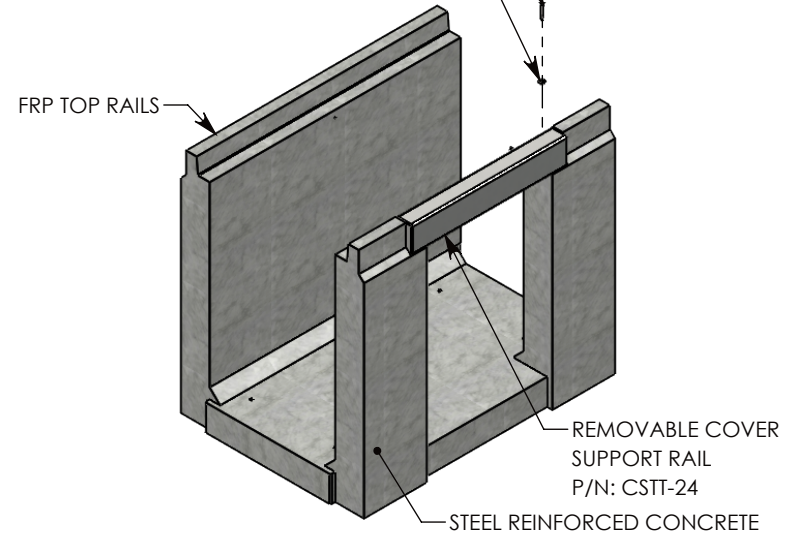


3/8-16 UNC X 2.50" LG HEX HD BOLT, GRADE 8 (2X)  
 P/N: HHB.38-2.5G8  
 3/8" STD WASHER - 1" OD (2X)  
 P/N: WSR.38-1



**SECTION A-A**

AASHTO H-20 RATED - 32,000 LB. SINGLE AXLE LOAD

**DRAWN BY: SAMUEL CALLAHAN**

**CREATED DATE: 8/28/2019** **REVISION LEVEL: A**

**SAVED DATE: 10/14/2020** **SAVED BY: scallahan**

**WEIGHT: 1912 LBS.** **MATERIAL: NOTED**

  
 1010 NORTH STAR DRIVE  
 P.O. BOX 69  
 ZUMBROTA, MN 55992-0069

**DESCRIPTION:**  
**HEAVY TRAFFIC UNIVERSAL CHANNEL**

DIMENSIONS ARE IN INCHES TOLERANCES: FRACTIONAL: $\pm 1/8$ " ANGULAR: $\pm 2^\circ$	CONTACT INFORMATION: EMAIL: INFO@CONCASTINC.COM PHONE: (507) 732-4095 FAX: (507) 732-4094	SHEET 1 OF 1
--	--	--------------

**PART NUMBER:**  
**HTFU2436 (24X0)**