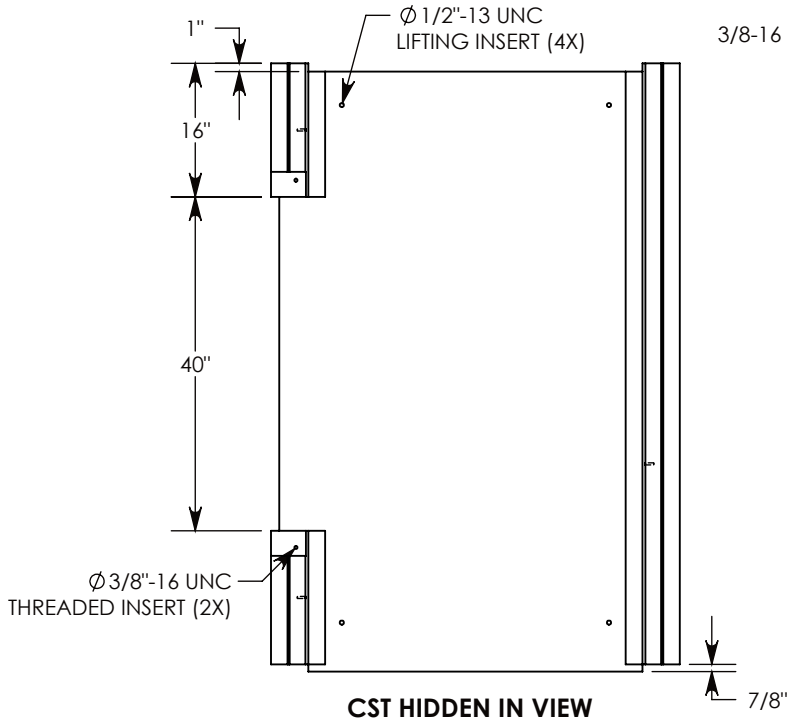


REV. A - RAL - 12/8/2017 - UPDATED THE COVER SUPPORT RAIL  
 REV. B - SIC - 7/25/2019 - UPDATED VIEWS AND DIMENSIONS; ADDED 1/4" CABLE CLIP INSERTS



3/8-16 UNC X 2.50" LG HEX HD BOLT, GRADE 8  
 P/N: HHB.38-2.5G8 QTY:2

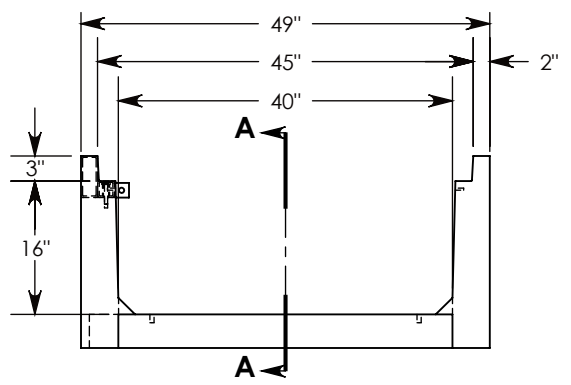
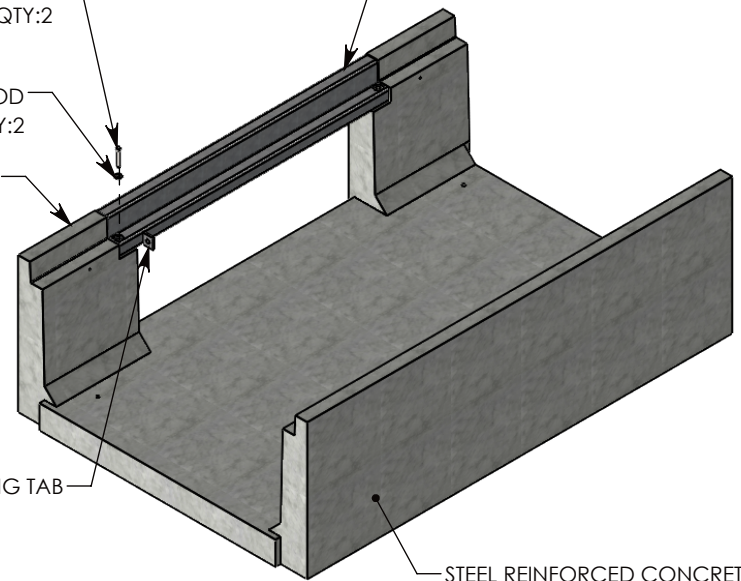
3/8" STD WASHER - 1" OD  
 P/N: WSR.38-1 QTY:2

FRP TOP RAILS

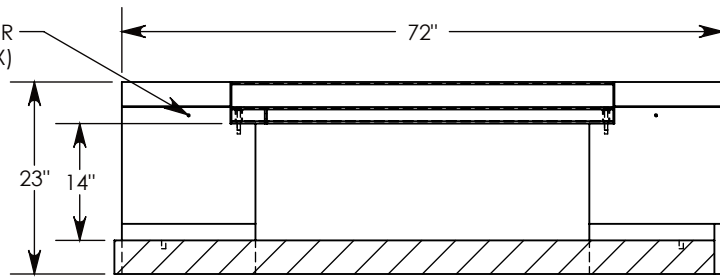
GROUNDING TAB

REMOVABLE COVER SUPPORT RAIL  
 P/N: CST-40

STEEL REINFORCED CONCRETE



Ø 1/4" INSERT FOR CABLE CLIPS (3X)



**SECTION A-A**

AASHTO H-20 RATED - 32,000 LB. SINGLE AXLE LOAD

<b>DRAWN BY: ROSS LAGER</b>	
<b>DATE: 7/25/2019</b>	<b>REVISION LEVEL: B</b>
<b>WEIGHT: 1844 LBS.</b>	<b>MATERIAL: NOTED</b>

**CONCAST**  
 1010 NORTH STAR DRIVE  
 P.O. BOX 69  
 ZUMBROTA, MN 55992-0069

<b>DESCRIPTION:</b> <b>HEAVY TRAFFIC UNIVERSAL CHANNEL</b>		
DIMENSIONS ARE IN INCHES TOLERANCES: FRACTIONAL: ± 1/8" ANGULAR: ± 2°	CONTACT INFORMATION: EMAIL: INFO@CONCASTINC.COM PHONE: (507) 732-4095 FAX: (507) 732-4094	SHEET 1 OF 1
<b>PART NUMBER:</b> <b>HTFU4016 (0X40)</b>		