

3/8-16 UNC X 2.50" LG HEX HD BOLT, GRADE 8
P/N: HHB.38-2.5G8 QTY: 4

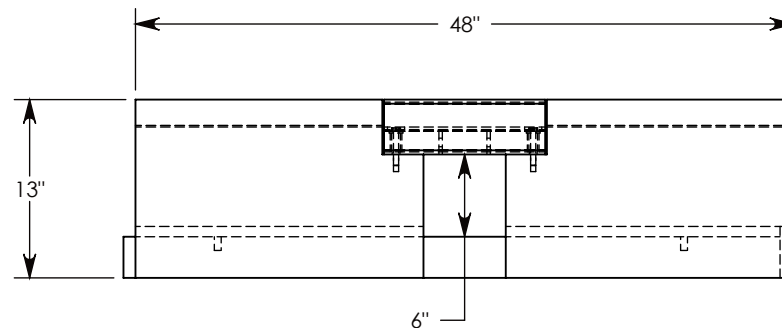
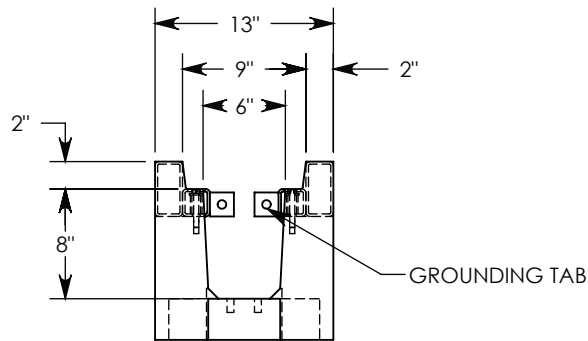
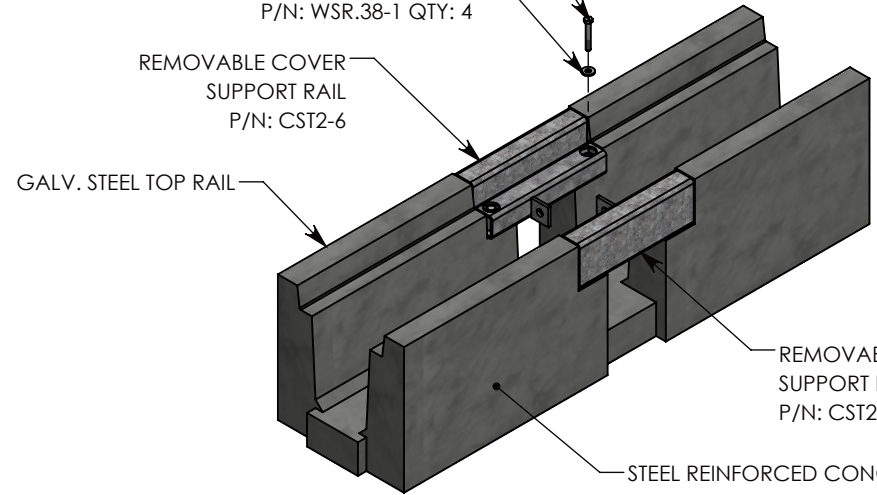
3/8" STD WASHER - 1" OD
P/N: WSR.38-1 QTY: 4

REMOVABLE COVER
SUPPORT RAIL
P/N: CST2-6

GALV. STEEL TOP RAIL

REMOVABLE COVER
SUPPORT RAIL
P/N: CST2-6

STEEL REINFORCED CONCRETE



AASHTO H-20 RATED - 32,000 LB. SINGLE AXLE LOAD

DRAWN BY: ROSS LAGER

DATE: 4/1/2019

REVISION LEVEL: 0

WEIGHT:

397 LBS.

MATERIAL:

NOTED

CONCAST
1010 NORTH STAR DRIVE
P.O. BOX 69
ZUMBROTA, MN 55992-0069

DESCRIPTION:

HEAVY TRAFFIC UNIVERSAL

DIMENSIONS ARE IN INCHES
TOLERANCES:
FRACTIONAL: ± 1/8"
ANGULAR: ± 2°

CONTACT INFORMATION:
EMAIL: INFO@CONCASTINC.COM
PHONE: (507) 732-4095
FAX: (507) 732-4094

SHEET 1 OF 1

PART NUMBER:

HTU0608 (06X06)