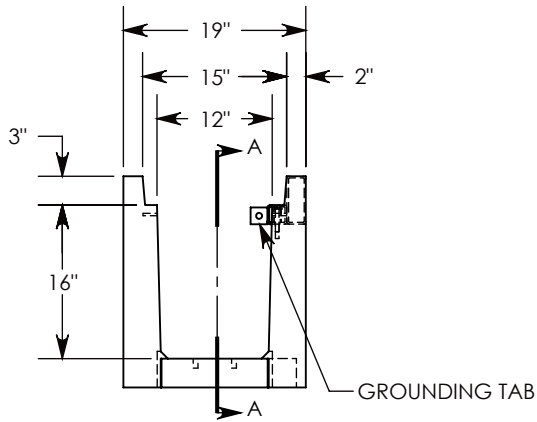
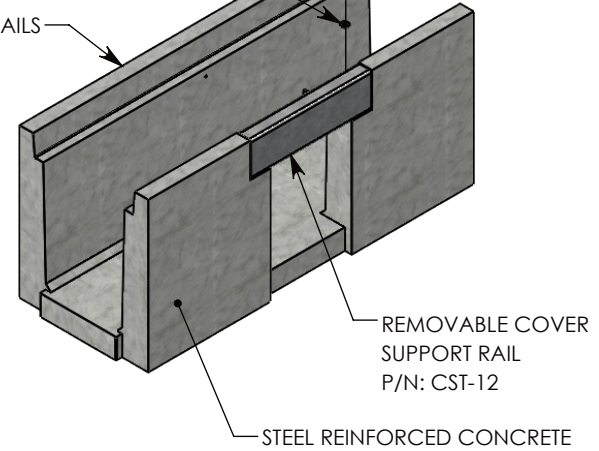


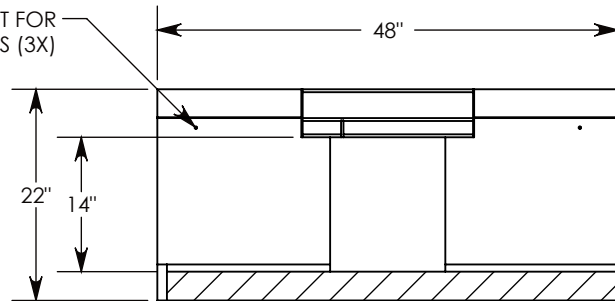
3/8-16 UNC X 2.50" LG HEX HD BOLT, GRADE 8  
 P/N: HHB.38-2.5G8 QTY: 2

3/8" STD WASHER - 1" OD  
 P/N: WSR.38-1 QTY: 2

GALV. STEEL TOP RAILS



$\phi 1/4$ " INSERT FOR CABLE CLIPS (3X)



SECTION A-A

AASHTO H-20 RATED – 32,000 LB. SINGLE AXLE LOAD

**DRAWN BY: ROSS LAGER**

**DATE: 7/22/2019**

**REVISION LEVEL: A**

**WEIGHT:**

**686 LBS.**

**MATERIAL:**

**NOTED**

  
**CONCAST**  
 1010 NORTH STAR DRIVE  
 P.O. BOX 69  
 ZUMBROTA, MN 55992-0069

**DESCRIPTION:**

**HEAVY TRAFFIC UNIVERSAL CHANNEL**

DIMENSIONS ARE IN INCHES  
 TOLERANCES:  
 FRACTIONAL:  $\pm 1/8$ "  
 ANGULAR:  $\pm 2^\circ$

CONTACT INFORMATION:  
 EMAIL: INFO@CONCASTINC.COM  
 PHONE: (507) 732-4095  
 FAX: (507) 732-4094

SHEET 1 OF 1

**PART NUMBER:**

**HTU1216 (12X0)**