

3/8-16 UNC X 2.50" LG HEX HD BOLT, GRADE 8
P/N: HHB.38-2.5G8 QTY: 4

3/8" STD WASHER - 1" OD
P/N: WSR.38-1 QTY: 4

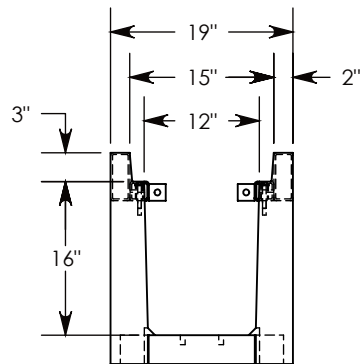
REMOVABLE COVER
SUPPORT RAIL
P/N: CST-12

GALV. STEEL TOP RAILS

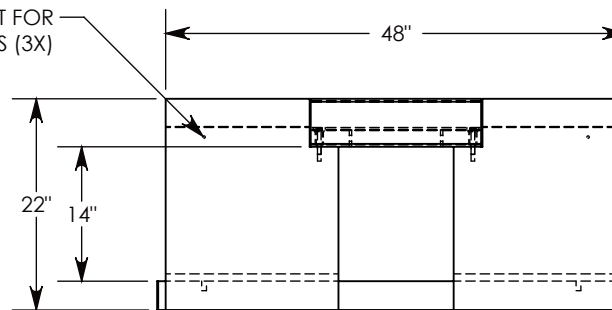
GROUNDING TAB

REMOVABLE COVER
SUPPORT RAIL
P/N: CST-12

STEEL REINFORCED CONCRETE



Ø 1/4" INSERT FOR
CABLE CLIPS (3X)



AASHTO H-20 RATED – 32,000 LB. SINGLE AXLE LOAD

DRAWN BY: ROSS LAGER

DATE: 7/22/2019

REVISION LEVEL: A

WEIGHT:

631 LBS.

MATERIAL:

NOTED



DESCRIPTION:

HEAVY TRAFFIC UNIVERSAL CHANNEL

DIMENSIONS ARE IN INCHES
TOLERANCES:
FRACTIONAL: ± 1/8"
ANGULAR: ± 2°

CONTACT INFORMATION:
EMAIL: INFO@CONCASTINC.COM
PHONE: (507) 732-4095
FAX: (507) 732-4094

SHEET 1 OF 1

PART NUMBER:

HTU1216 (12X12)