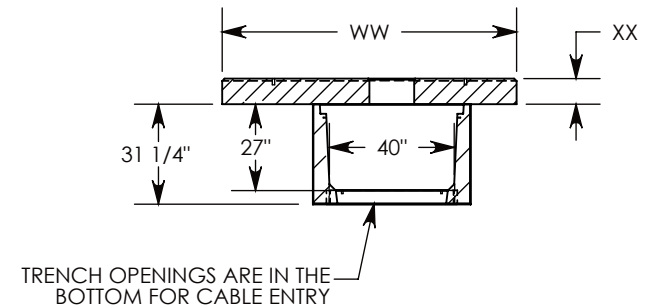
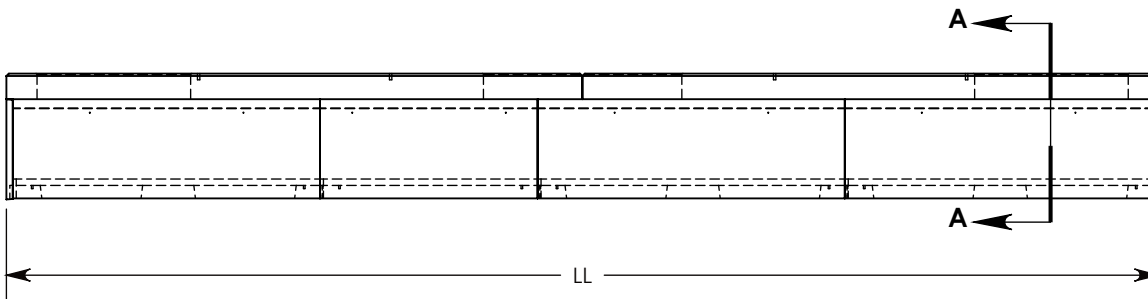
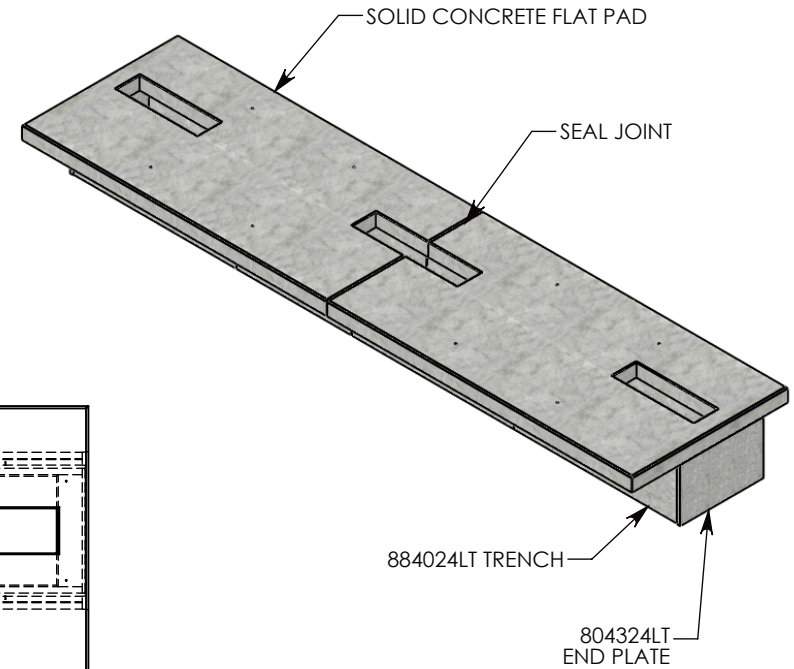
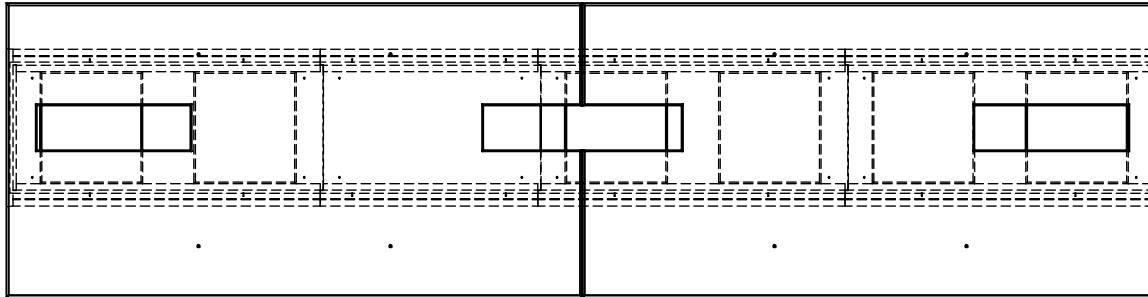


THIS REFERENCE DRAWING REPRESENTS A TYPICAL MFPS CONFIGURATION FOR THE SYSTEM 6. THE OUTSIDE PAD DIMENSIONS (WW, LL, & XX) ARE ASSIGNED BY CONCAST. CUSTOM APPROVAL DRAWINGS WILL BE PROVIDED FOR EACH JOB, AND THEY WILL BE BASED ON YOUR SPECIFIC GEAR LINEUP REQUIREMENTS.



SECTION A-A

DRAWN BY: ROBIN LEWIS

DATE: 5/17/2012

REVISION LEVEL: 0

WEIGHT:

- LBS.

MATERIAL:

CONCRETE



DESCRIPTION:

MODULAR FLAT PAD (SYSTEM VI)

DIMENSIONS ARE IN INCHES
 TOLERANCES:
 FRACTIONAL: ± 1/8"
 ANGULAR: ± 2°

CONTACT INFORMATION:
 EMAIL: INFO@CONCASTINC.COM
 PHONE: (507) 732-4095
 FAX: (507) 732-4094

SHEET 1 OF 1

PART NUMBER:

MFPS-WW-LL-XX