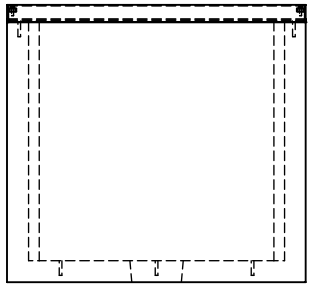
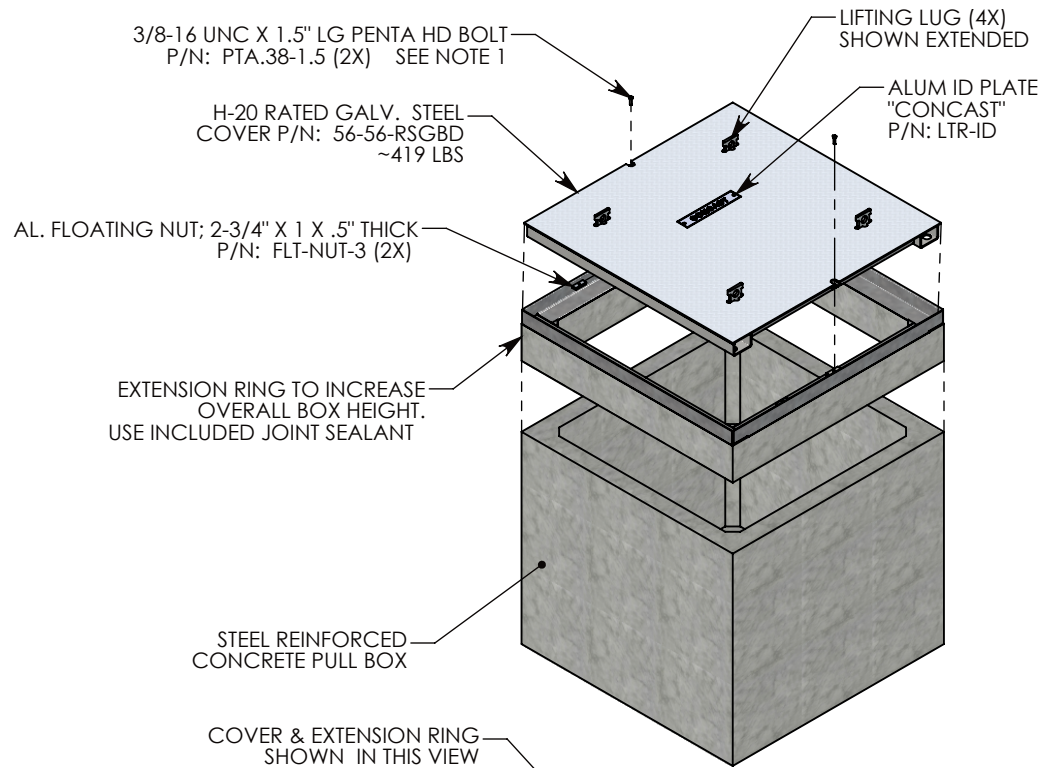
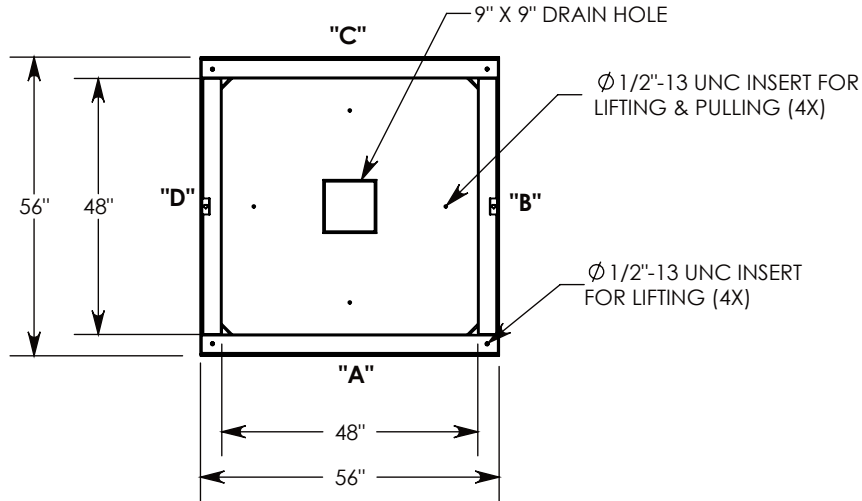
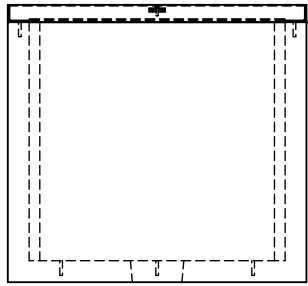


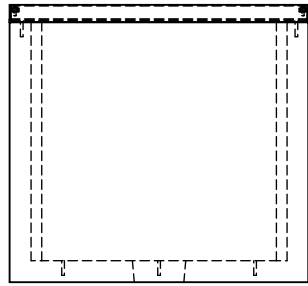
MARK UP DRAWING BELOW WITH LOCATION AND SIZE OF ANY HOLES, KNOCKOUTS, INSERTS, UNISTRUT, OR ACCESSORIES REQUIRED.



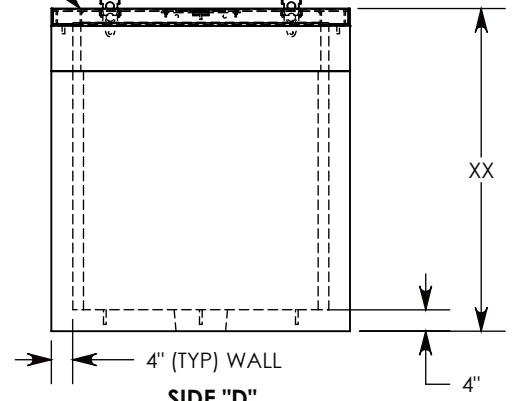
SIDE "A"



SIDE "B"



SIDE "C"



SIDE "D"

H-20 RATED - 32,000 LB. PER AXLE LOAD.

NOTE 1: FOR ADDED SECURITY, ORDER WITH SURELOCK BOLTS P/N: PB-56-56-XX-RSGBDSL

DRAWN BY: ROBIN FLINT

DATE: 2/15/2016

REVISION LEVEL: A

WEIGHT:
- LBS.

MATERIAL:
NOTED

1010 NORTH STAR DRIVE
P.O. BOX 69
ZUMBROTA, MN 55992-0069

DESCRIPTION:
PULL BOX W/ GALV. STEEL BD COVER

DIMENSIONS ARE IN INCHES
TOLERANCES:
FRACTIONAL: ± 1/8"
ANGULAR: ± 2°

CONTACT INFORMATION:
EMAIL: INFO@CONCASTINC.COM
PHONE: (507) 732-4095
FAX: (507) 732-4094

SHEET 1 OF 1

PART NUMBER:
PB-56-56-XX-RSGBD