

1/2-13 UNC X 1.5" LG HEX HD BOLT (4X)  
 P/N: HHB.5-1.5

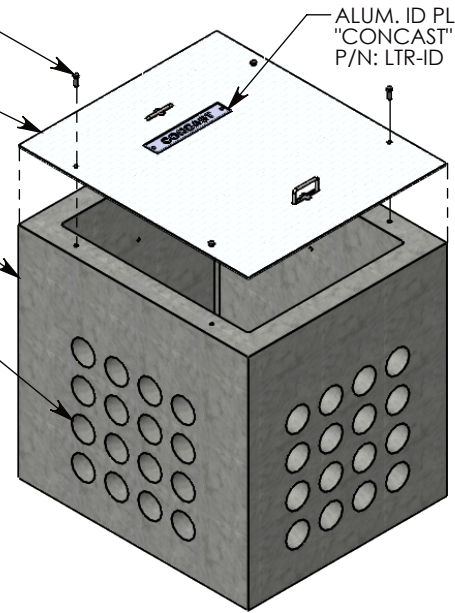
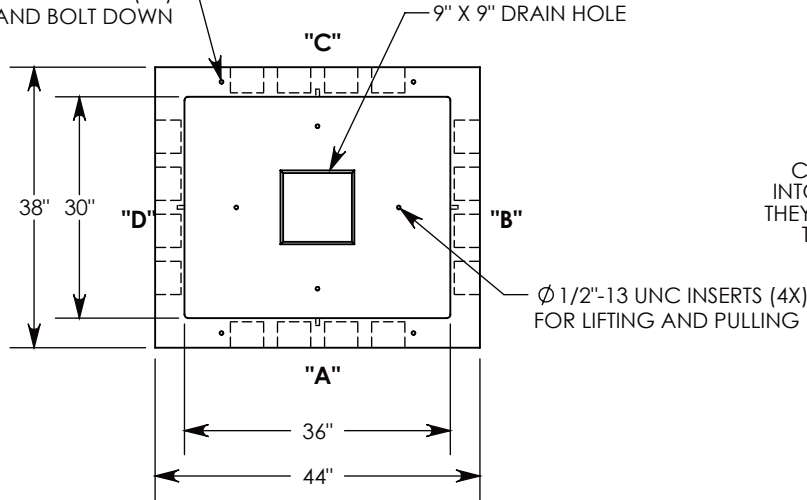
ALUM. ID PLATE  
 "CONCAST"  
 P/N: LTR-ID

PEDESTRIAN RATED  
 ALUMINUM COVER  
 ~50 LBS  
 P/N: 38-44-A

CONCRETE PULL BOX  
 ~2068 LBS  
 P/N: PB16-38-44-42

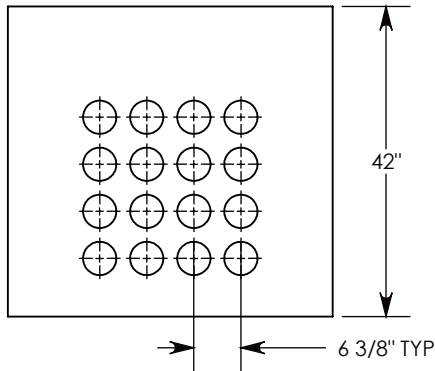
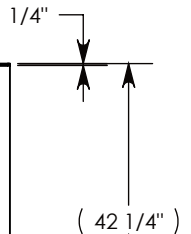
CON-DUCT TERMINATIONS ARE CAST  
 INTO BOX SIDEWALLS. 16 PER SIDE (4X)  
 THEY FIT UP TO 4" PVC PIPE. TO ACCESS  
 THE HOLES, BREAK THE PLASTIC SEAL

Ø 1/2"-13 UNC INSERTS (4X)  
 FOR LIFTING AND BOLT DOWN

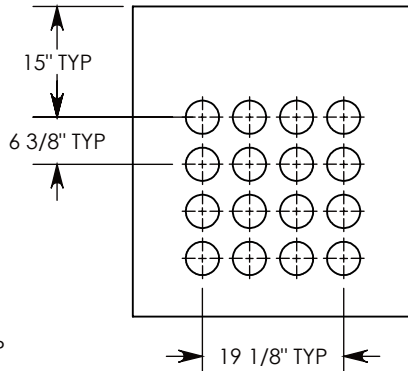


Ø 1/2"-13 UNC INSERT (4X) FOR  
 PULLING EYES. LOCATED ON  
 BOX INTERIOR (1X PER SIDE)

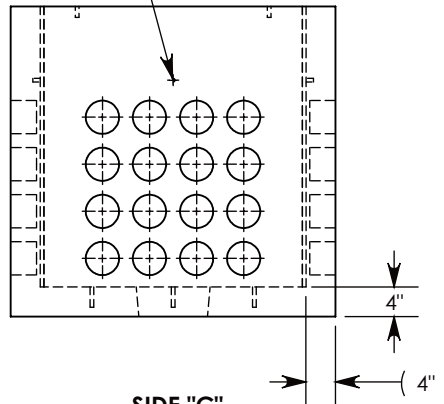
LIFT RING SHOWN EXTENDED  
 COVER SHOWN IN THIS VIEW



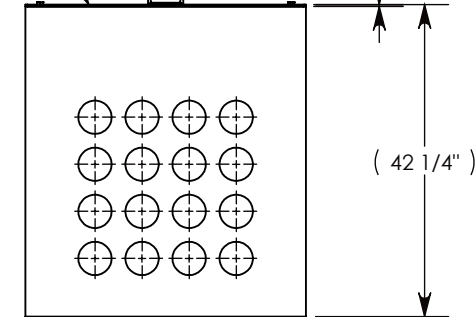
SIDE "A" (HLR)



SIDE "B" (HLR)



SIDE "C"



SIDE "D" (HLR)

NOTE 1: FOR PVC SIZES SMALLER THAN 4", USE CONCAST RC41 (REDUCING COUPLER).  
 NOTE 2: FOR ADDING SECURITY, PENTA HEAD (P/N: PTA.5-1.5) CAN BE ADDED

PEDESTRIAN RATED - 200 LB. PER SQ. FOOT

<b>DRAWN BY:</b> ROBIN FLINT	
<b>CREATED DATE:</b> 4/16/2010	<b>REVISION LEVEL:</b> C
<b>SAVED DATE:</b> 2/26/2020	<b>SAVED BY:</b> scallahan
<b>WEIGHT:</b> 2119 LBS.	<b>MATERIAL:</b> NOTED

1010 NORTH STAR DRIVE  
 P.O. BOX 69  
 ZUMBROTA, MN 55992-0069

<b>DESCRIPTION:</b> CONCRETE PULL BOX W/AL COVER		
DIMENSIONS ARE IN INCHES TOLERANCES: FRACTIONAL: ± 1/8" ANGULAR: ± 2°	CONTACT INFORMATION: EMAIL: INFO@CONCASTINC.COM PHONE: (507) 732-4095 FAX: (507) 732-4094	SHEET 1 OF 1
<b>PART NUMBER:</b> PB16-38-44-42-A		