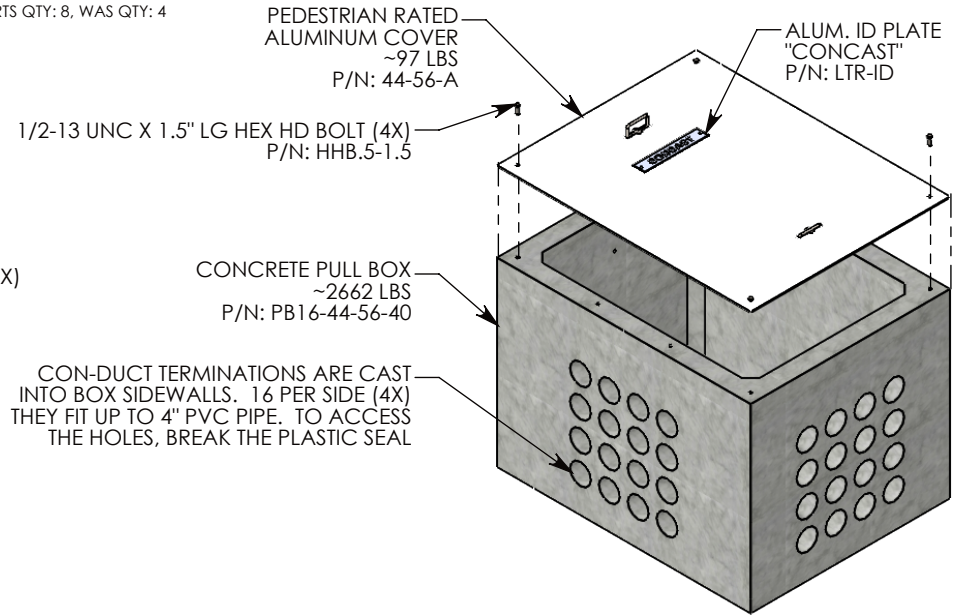
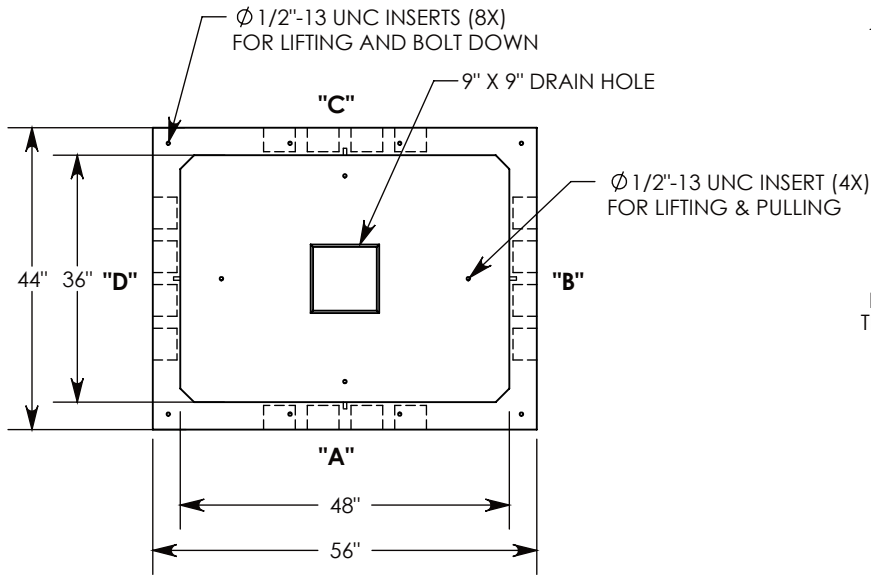


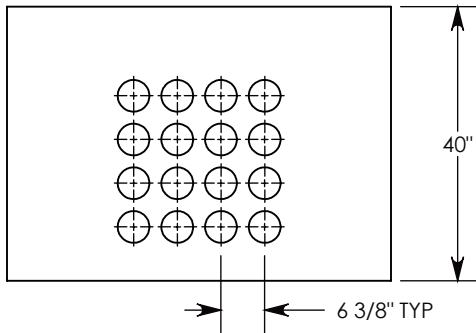
REV. B - MKM - 5/31/2018 - UPDATED MODEL & DRAWING

REV. C - SIC - 2/26/2020 - UPDATED DRAWING; UPDATED ALUMINUM COVER WEIGHT, WAS 127 LBS; UPDATED BOLT DOWN INSERTS QTY: 8, WAS QTY: 4

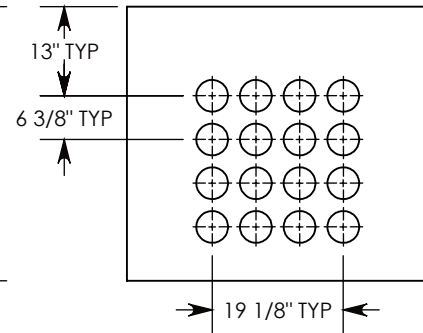


Ø 1/2"-13 UNC INSERT (4X) FOR PULLING EYES. LOCATION ON BOX INTERIOR (1X PER SIDE)

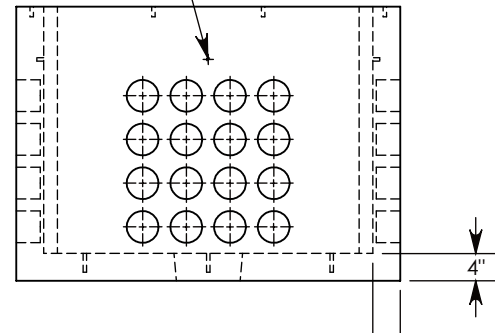
LIFTING RING SHOWN EXTENDED
COVER SHOWN IN THIS VIEW



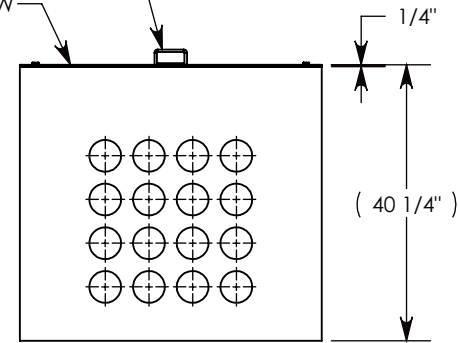
SIDE "A" (HLR)



SIDE "B" (HLR)



SIDE "C"



SIDE "D" (HLR)

NOTE 1: FOR PVC SIZES SMALLER THAN 4", USE CONCAST RC41 (REDUCING COUPLER)

NOTE 2: FOR ADDED SECURITY, PENTA HEAD BOLTS (P/N: PTA.5-1.5) CAN BE ADDED

PEDESTRIAN RATED - 200 LB. PER SQ. FOOT

DRAWN BY: ROBIN FLINT	
CREATED DATE: 3/26/2010	REVISION LEVEL: C
SAVED DATE: 2/26/2020	SAVED BY: scallahan
WEIGHT: 2759 LBS.	MATERIAL: NOTED



1010 NORTH STAR DRIVE
P.O. BOX 69
ZUMBROTA, MN 55992-0069

DESCRIPTION: PULL BOX W/ ALUMINUM COVER		
DIMENSIONS ARE IN INCHES TOLERANCES: FRACTIONAL: ± 1/8" ANGULAR: ± 2°	CONTACT INFORMATION: EMAIL: INFO@CONCASTINC.COM PHONE: (507) 732-4095 FAX: (507) 732-4094	SHEET 1 OF 1
PART NUMBER: PB16-44-56-40-A		