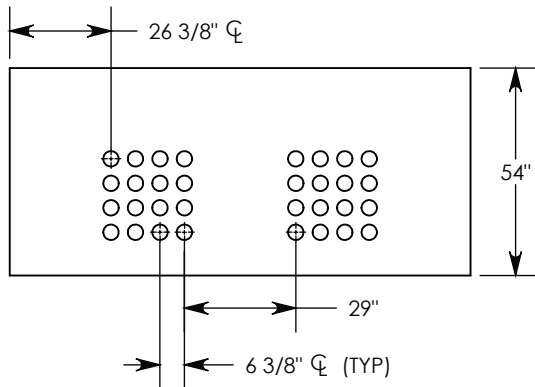
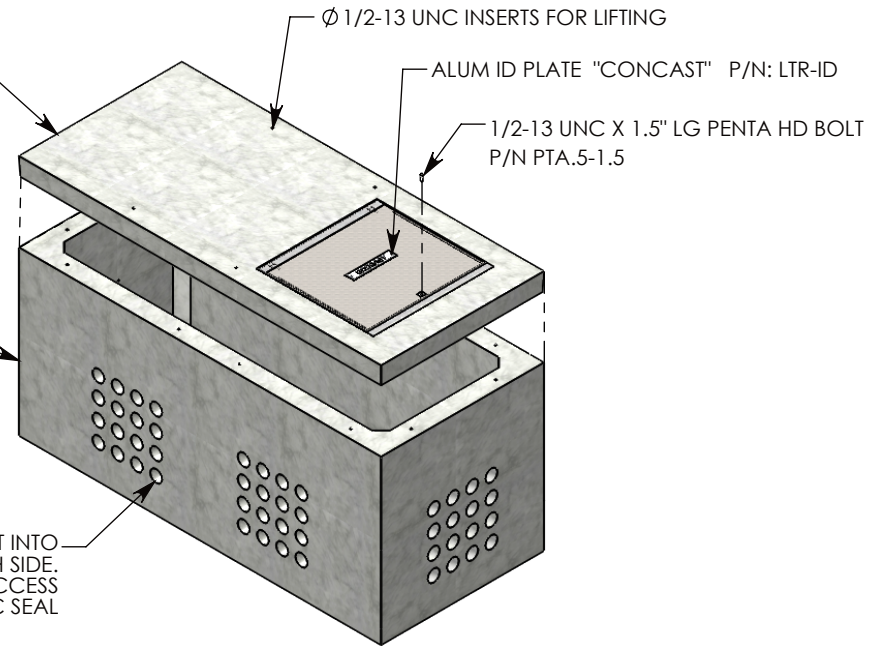


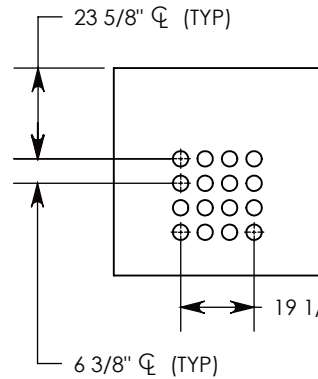
H-20 HEAVY TRAFFIC RATED REINFORCED CONCRETE COVER WITH SPRING-ASSISTED GALVANIZED STEEL LID CAST-IN LID P/N: 54-120-SA ~2,702 LBS.

STEEL REINFORCED CONCRETE PULL BOX P/N: PB16-54-120-54 ~10309 LBS.

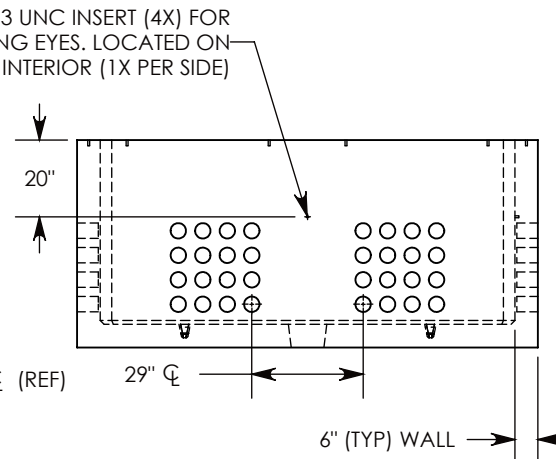
CON-DUCT TERMINATIONS ARE CAST INTO BOX SIDEWALLS. SETS OF 16 ON EACH SIDE. THEY FIT UP TO 4" PVC PIPE. TO ACCESS THE HOLES, BREAK THE PLASTIC SEAL



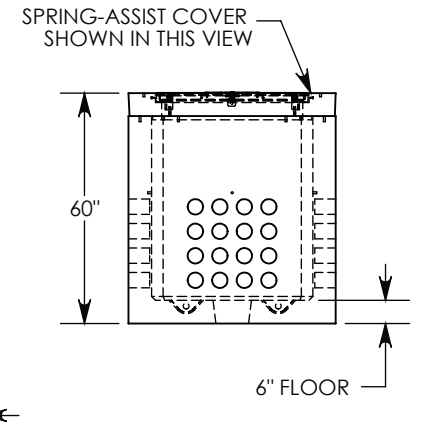
SIDE "A" (HLR)



SIDE "B" (HLR)



SIDE "C"



SIDE "D"

NOTE 1: FOR PVC SIZES SMALLER THAN 4", USE CONCAST RC41 (REDUCING COUPLER).

H-20 RATED - 32,000 LB. PER AXLE LOAD.

DRAWN BY: ROBIN FLINT

DATE: 1/1/2017

REVISION LEVEL: A

WEIGHT:

13012 LBS. W/COVER

MATERIAL:

NOTED



DESCRIPTION:

PULL BOX WITH SPRING-ASSIST RSG COVER

DIMENSIONS ARE IN INCHES
TOLERANCES:
FRACTIONAL: ± 1/8"
ANGULAR: ± 2°

CONTACT INFORMATION:
EMAIL: INFO@CONCASTINC.COM
PHONE: (507) 732-4095
FAX: (507) 732-4094

SHEET 1 OF 1

PART NUMBER:

PB16-54-120-54-SA