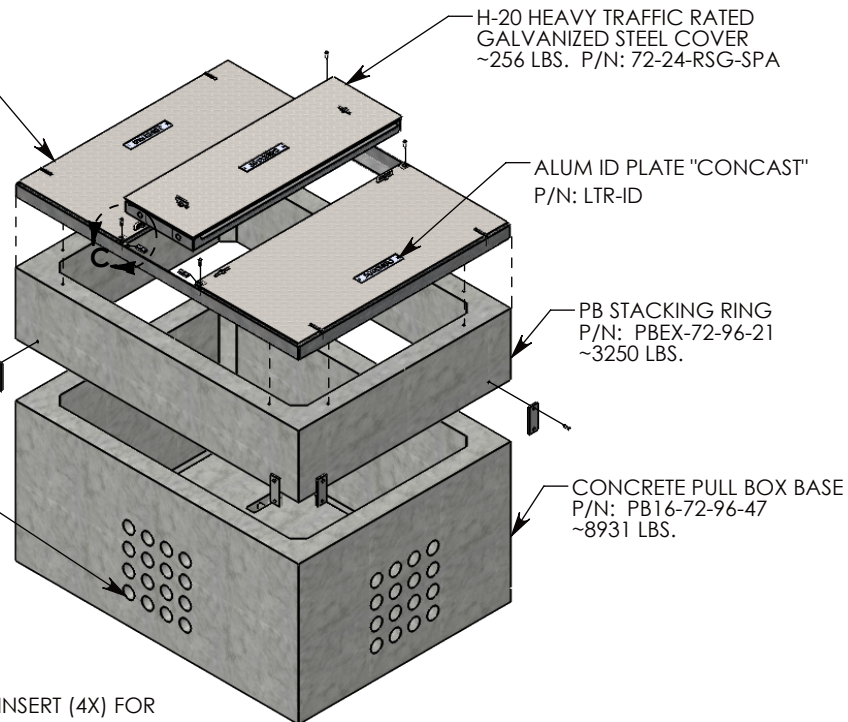


H-20 HEAVY TRAFFIC RATED
 SPRING-ASSISTED GALV. STEEL
 FRAME & SPA COVERS
 ~1027 LBS. P/N: 72-96-SPA
 & (8) WSR.50-1.38

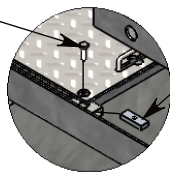
PULL BOX JOINT TIE STRAP
 P/N: T-STRAP-1 (8X)

1/2-13 UNC X 1.5" LG HEX HD BOLT
 P/N: HHB.5-1.5 (8X)

CON-DUCT TERMINATIONS ARE CAST
 INTO BOX SIDEWALLS. 16 PER SIDE (4X)
 THEY FIT UP TO 4" PVC PIPE. TO ACCESS
 THE HOLES, BREAK THE PLASTIC SEAL



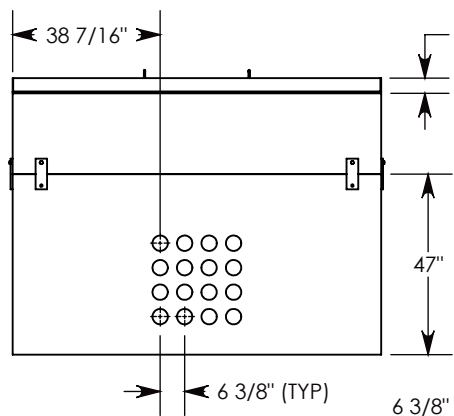
3/8-16 UNC X 1.5" LG PENTA HD BOLT
 P/N: PTA.38-1.5 (4X)



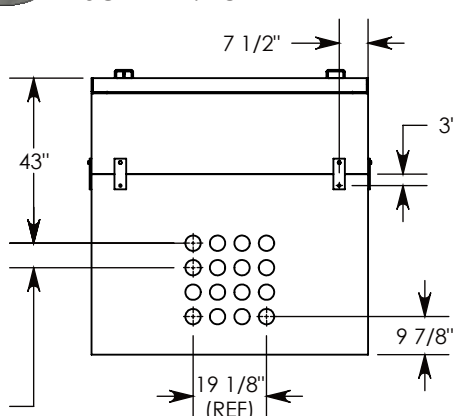
DETAIL C
 SCALE 1 : 18

AL. FLOATING NUT; 2-3/4" X 1 X .5" THICK
 P/N: FLT-NUT-3 (4X)

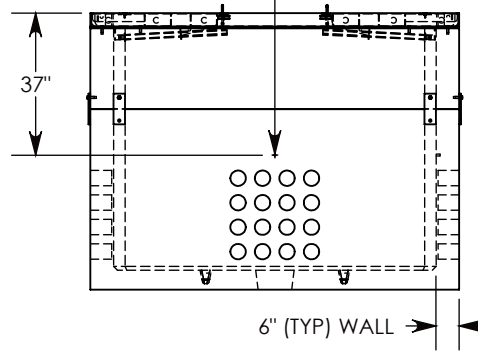
Ø .50-13 UNC INSERT (4X) FOR
 PULLING EYES. LOCATED ON
 BOX INTERIOR (1X PER SIDE)



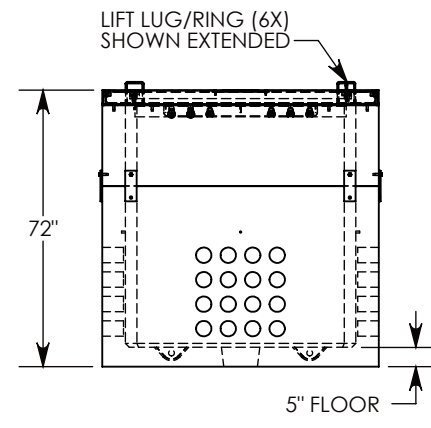
SIDE "A" (HLR)



SIDE "B" (HLR)



SIDE "C"



SIDE "D"

NOTE 1: FOR PVC SIZES SMALLER THAN 4", USE CONCAST RC41 (REDUCING COUPLER).

H-20 RATED - 32,000 LB. PER AXLE LOAD.

DRAWN BY: JESSE GUTTING

DATE: 11/5/2016

REVISION LEVEL: 0

WEIGHT:

13493 LBS. W/COVERS

MATERIAL:

NOTED



1010 NORTH STAR DRIVE
 P.O. BOX 69
 ZUMBROTA, MN 55992-0069

DESCRIPTION:

CONCRETE PULL BOX W/GALV. STEEL SPA COVER

DIMENSIONS ARE IN INCHES
 TOLERANCES:
 FRACTIONAL: ± 1/8"
 ANGULAR: ± 2°

CONTACT INFORMATION:
 EMAIL: INFO@CONCASTINC.COM
 PHONE: (507) 732-4095
 FAX: (507) 732-4094

SHEET 1 OF 1

PART NUMBER:

PB16-72-96-72-SPA