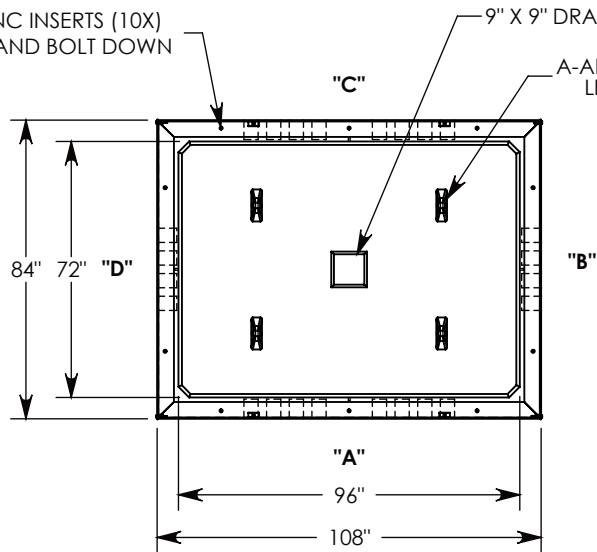


Ø 1/2"-13 UNC INSERTS (10X)
FOR LIFTING AND BOLT DOWN



3/8-16 UNC X 1.5" LG HEX HD BOLT (4X)
P/N: HHB.38-1.5

ALUMINUM ID PLATE (2X)
"CONCAST"
P/N: LTR-ID

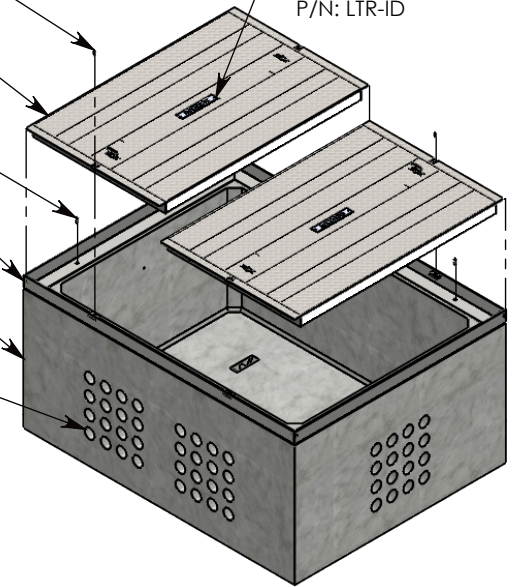
H-20 HEAVY TRAFFIC RATED
GALVANIZED STEEL COVER (2X)
~633 LBS
P/N: 84-54-RSG

1/2-13 UNC X 1.5" LG HEX HD BOLT (10X)
P/N: HHB.5-1.5

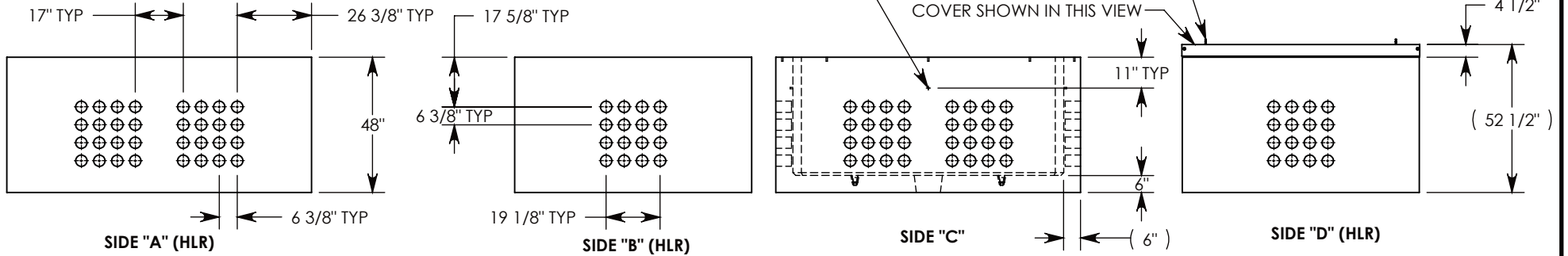
BOLT DOWN GALV. STEEL FRAME
~153 LBS
P/N: 84-108-FRM

CONCRETE PULL BOX
~11363 LBS
P/N: PB16-84-108-48

CON-DUCT TERMINATIONS ARE CAST INTO
BOX SIDEWALLS. SETS OF 16 ON EACH SIDE.
THEY FIT UP TO 4" PVC PIPE. TO ACCESS
THE HOLES, BREAK THE PLASTIC SEAL



Ø 1/2"-13 UNC INSERT (4X) FOR
PULLING EYES. LOCATED ON
BOX INTERIOR (1X PER SIDE)



NOTE 1: FOR PVC SIZES SMALLER THAN 4", USE CONCAST RC41 (REDUCING COUPLER).

NOTE 2: FOR ADDED SECURITY, PENTA HEAD (P/N: PTA.38-1.5) OR SURELOCK BOLTS (P/N: SL.38-1.25) CAN BE ADDED

AASHTO H-20 RATED - 32,000 LB. SINGLE AXLE LOAD

DRAWN BY: MALACHI MLINAR		 1010 NORTH STAR DRIVE P.O. BOX 69 ZUMBROTA, MN 55992-0069	DESCRIPTION:	
DATE: 6/12/2019	REVISION LEVEL: B		PULL BOX W/ ALUMINUM COVER	
WEIGHT: 12862 LBS.	MATERIAL: NOTED		DIMENSIONS ARE IN INCHES TOLERANCES: FRACTIONAL: ± 1/8" ANGULAR: ± 2°	CONTACT INFORMATION: EMAIL: INFO@CONCASTINC.COM PHONE: (507) 732-4095 FAX: (507) 732-4094
		PART NUMBER: PB16-84-108-48-RSG		