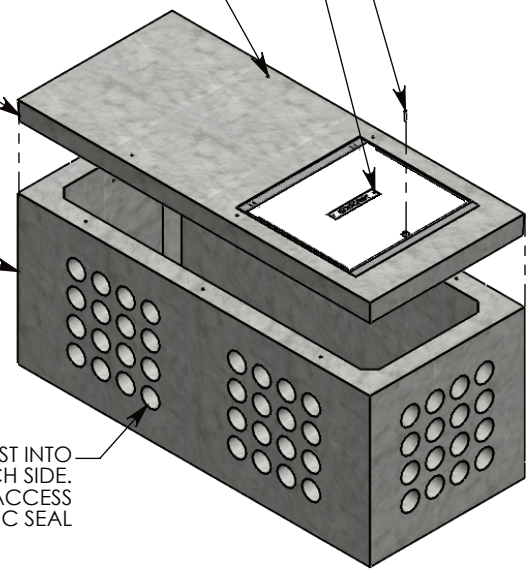


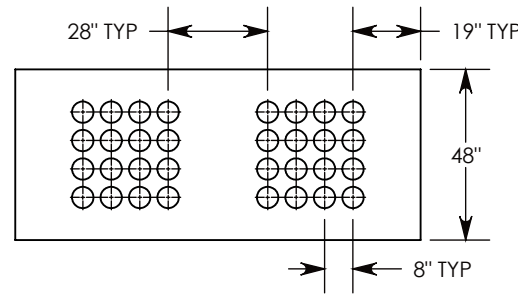
3/8-16 UNC X 2.50" LG HEX HD BOLT, GRADE 8
 P/N HHB.38-2.5G8
 ALUM ID PLATE "CONCAST" P/N: LTR-ID
 Ø 1/2-13 UNC INSERTS FOR LIFTING (4X)

H-20 HEAVY TRAFFIC RATED REINFORCED CONCRETE COVER WITH SPRING-ASSISTED CAST-IN GALVANIZED STEEL LID ~2,247 LBS. P/N: 50-114-SA

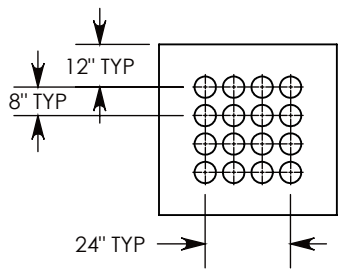
CONCRETE PULL BOX ~7869 LBS. P/N: PB166-50-114-48



CON-DUCT TERMINATIONS ARE CAST INTO BOX SIDEWALLS. SETS OF 16 ON EACH SIDE. THEY FIT UP TO 6" PVC PIPE. TO ACCESS THE HOLES, BREAK THE PLASTIC SEAL

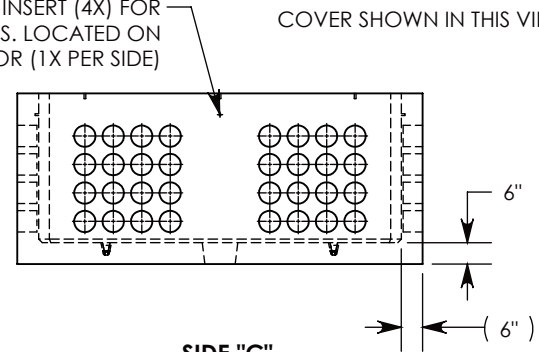


SIDE "A" (HLR)

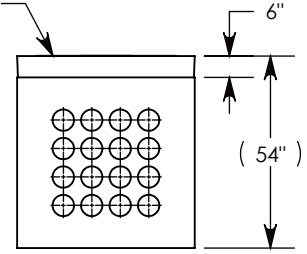


SIDE "B" (HLR)

Ø 1/2"-UNC INSERT (4X) FOR PULLING EYES. LOCATED ON BOX INTERIOR (1X PER SIDE)



SIDE "C"



SIDE "D" (HLR)

NOTE 1: FOR ADDED SECURITY, PENTA HEAD (P/N: PTA.38-1.5) OR SURELOCK BOLT (P/N: SL.38-1.5) CAN BE ADDED

AASHTO H-20 RATED – 32,000 LB. SINGLE AXLE LOAD

DRAWN BY: ROBIN FLINT	
CREATED DATE: 6/24/2011	REVISION LEVEL: B
SAVED DATE: 9/13/2021	SAVED BY: scallahan
WEIGHT: 10116 LBS.	MATERIAL: NOTED

1010 NORTH STAR DRIVE
 P.O. BOX 69
 ZUMBROTA, MN 55992-0069

DESCRIPTION:		
PULL BOX WITH SPRING-ASSIST RSG COVER		
DIMENSIONS ARE IN INCHES	CONTACT INFORMATION:	SHEET 1 OF 1
TOLERANCES:	EMAIL: INFO@CONCASTINC.COM	
FRACTIONAL: ± 1/8"	PHONE: (507) 732-4095	
ANGULAR: ± 2°	FAX: (507) 732-4094	
PART NUMBER:		
PB166-50-114-48-SA		