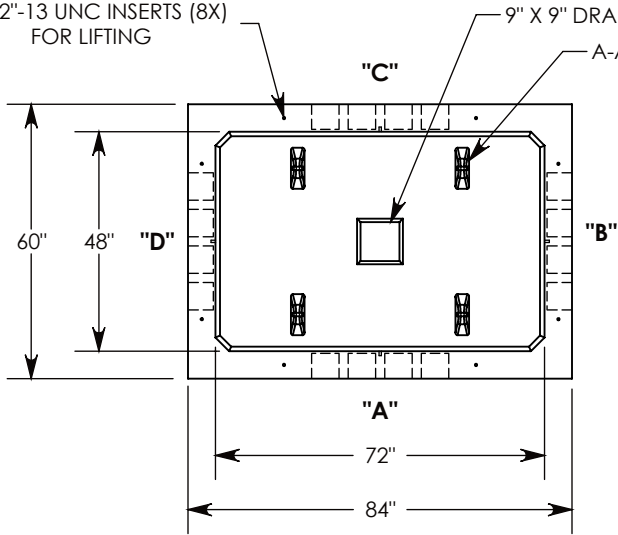


Ø 1/2"-13 UNC INSERTS (8X)  
FOR LIFTING



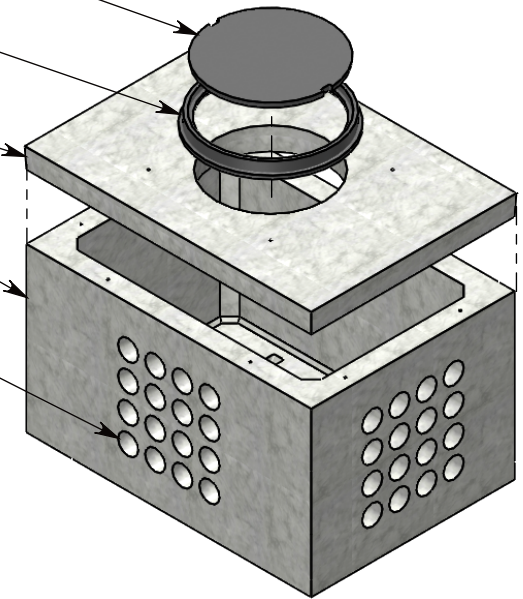
CAST IRON MANHOLE LID  
~353 LBS  
P/N: CI-38-32-CVR

34 INCH CAST IRON FRAME  
~178 LBS  
P/N: CI-38-32-FRM

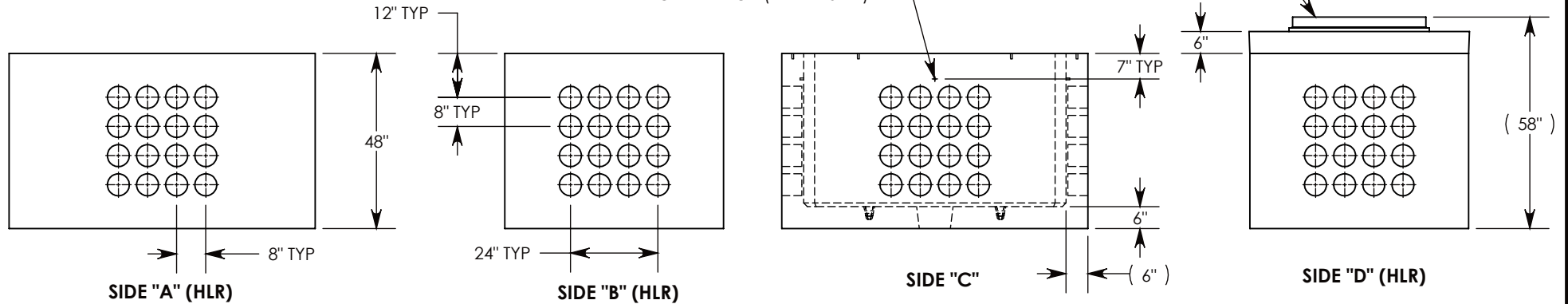
H-20 HEAVY TRAFFIC RATED  
CONCRETE MANHOLE COVER  
~2296 LBS  
P/N: 60-84-MH

CONCRETE PULL BOX  
~7124 LBS  
P/N: PB166-60-84-48

CON-DUCT TERMINATIONS ARE CAST  
INTO BOX SIDEWALLS. 16 PER SIDE (4X)  
THEY FIT UP TO 6" PVC PIPE. TO ACCESS  
THE HOLES, BREAK THE PLASTIC SEAL



Ø 1/2"-13 UNC INSERT (4X) FOR  
PULLING EYES. LOCATED ON  
BOX INTERIOR (1X PER SIDE)



AASHTO H-20 RATED - 32,000 LB. SINGLE AXLE LOAD

**DRAWN BY: ROBIN FLINT**

**DATE: 8/13/2018**

**REVISION LEVEL: B**

**WEIGHT:**

**MATERIAL:**

**9951 LBS. W/COVER**

**NOTED**



**DESCRIPTION:**

**PULL BOX W/MANHOLE COVER**

DIMENSIONS ARE IN INCHES  
TOLERANCES:  
FRACTIONAL: ± 1/8"  
ANGULAR: ± 2°

CONTACT INFORMATION:  
EMAIL: INFO@CONCASTINC.COM  
PHONE: (507) 732-4095  
FAX: (507) 732-4094

SHEET 1 OF 1

**PART NUMBER:**

**PB166-60-84-48-MH**