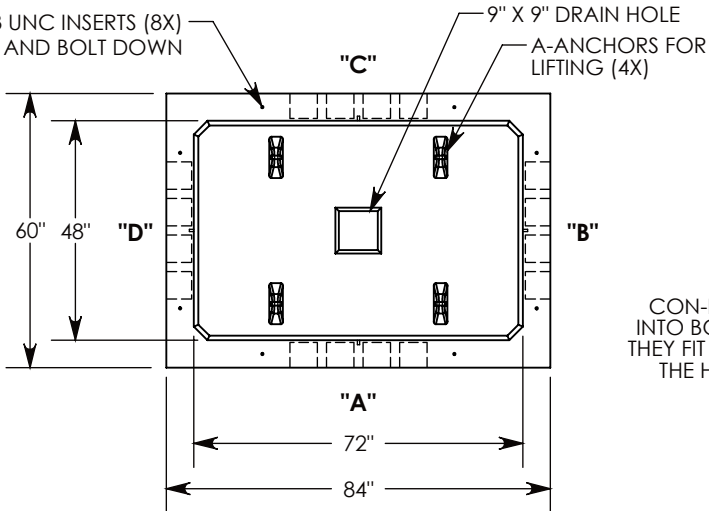


REV. B - MKM - 8/9/2018 - UPDATED HARDWARE FOR BOLT DOWN

REV. C - SIC - 3/23/2020 - UPDATED ANNOTATIONS; UPDATED 60-42-A WEIGHT TO 99 LBS, WAS 111 LBS

Ø 1/2"-13 UNC INSERTS (8X)  
FOR LIFTING AND BOLT DOWN



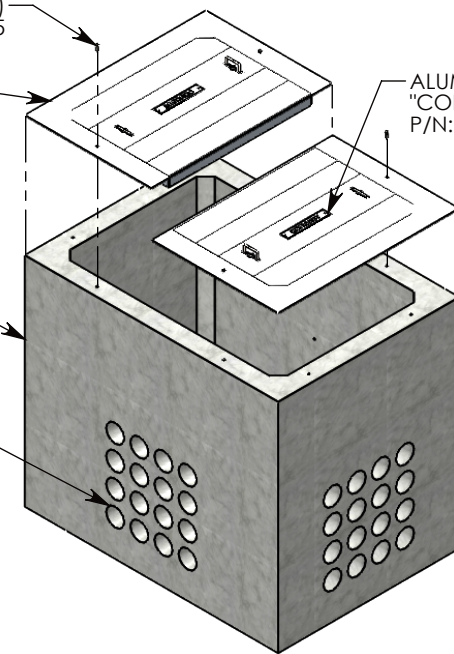
1/2-13 UNC X 1.5" LG HEX HD BOLT (4X)  
P/N: HHB.5-1.5

PEDESTRIAN RATED  
ALUMINUM COVER (2X)  
~99 LBS  
P/N: 60-42-A

ALUM. ID PLATE (2X)  
"CONCAST"  
P/N: LTR-ID

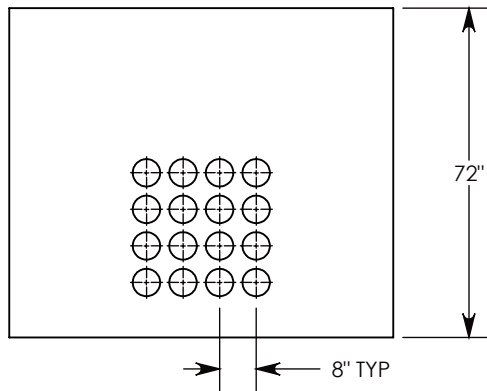
CONCRETE PULL BOX  
~10273 LBS  
P/N: PB166-60-84-72

CON-DUCT TERMINATIONS ARE CAST  
INTO BOX SIDEWALLS. 16 PER SIDE (4X)  
THEY FIT UP TO 6" PVC PIPE. TO ACCESS  
THE HOLES, BREAK THE PLASTIC SEAL

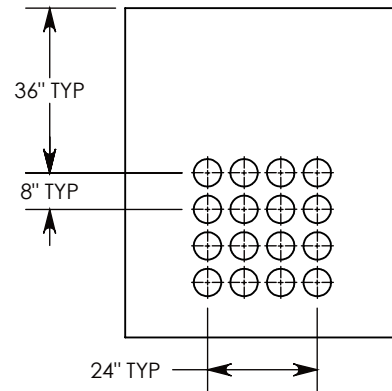


Ø 1/2"-13 UNC INSERT (4X) FOR  
PULLING EYES. LOCATED ON  
BOX INTERIOR (1X PER SIDE)

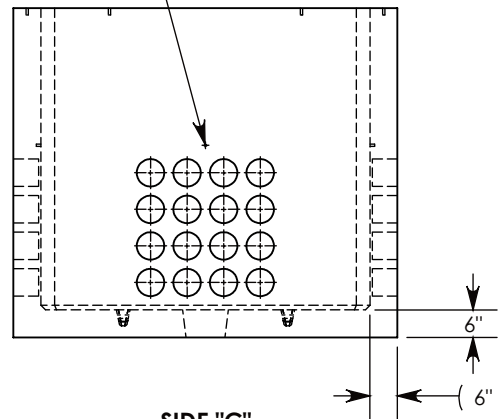
LIFTING RING SHOWN EXTENDED  
COVER SHOWN IN THIS VIEW



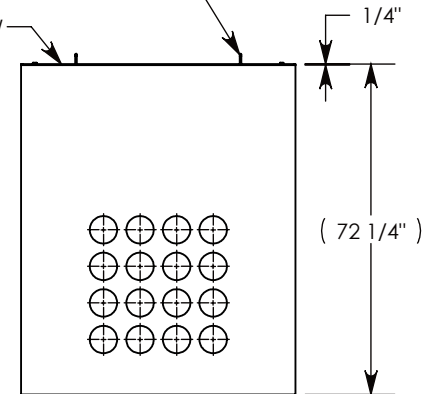
SIDE "A" (HLR)



SIDE "B" (HLR)



SIDE "C"



SIDE "D" (HLR)

NOTE 1: FOR ADDED SECURITY, PENTA HEAD BOLTS (P/N: PTA.5-1.5) CAN BE ADDED

PEDESTRIAN RATED - 200 LB. PER SQ. FOOT

DRAWN BY: **ROBIN FLINT**

CREATED DATE: **6/24/2011**

REVISION LEVEL: **C**

SAVED DATE: **3/23/2020**

SAVED BY: **scallahan**

WEIGHT:  
**10472 LBS.**

MATERIAL:  
**NOTED**



DESCRIPTION:

**PULL BOX W/ALUMINUM COVERS**

DIMENSIONS ARE IN INCHES  
TOLERANCES:  
FRACTIONAL: ± 1/8"  
ANGULAR: ± 2°

CONTACT INFORMATION:  
EMAIL: [INFO@CONCASTINC.COM](mailto:INFO@CONCASTINC.COM)  
PHONE: (507) 732-4095  
FAX: (507) 732-4094

SHEET 1 OF 1

PART NUMBER:

**PB166-60-84-72-A**