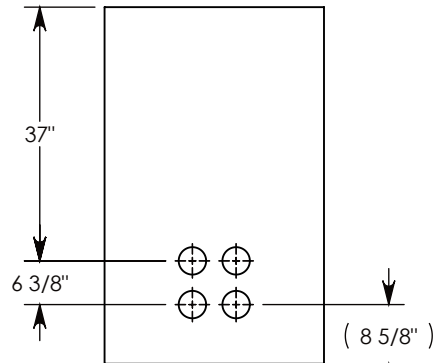
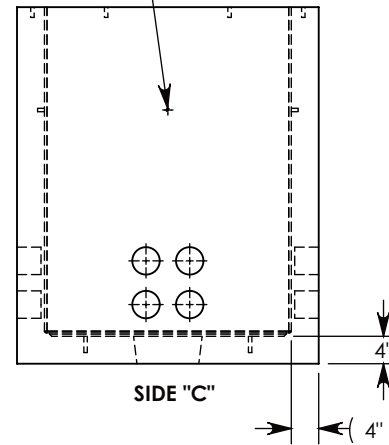


SIDE "A" (HLR)



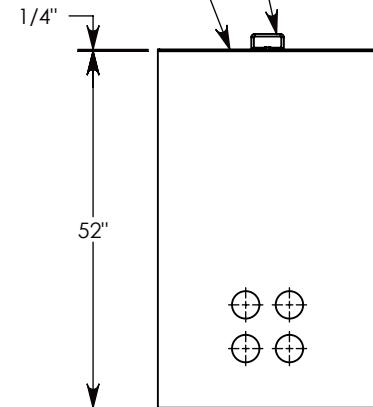
SIDE "B" (HLR)

Ø 1/2"-13 UNC INSERT (4X) FOR PULLING EYES. LOCATED ON BOX INTERIOR (1X PER SIDE)



SIDE "C"

LIFT RING SHOWN EXTENDED
COVER SHOWN IN THIS VIEW



SIDE "D" (HLR)

NOTE 1: STANDARD DEPTH OF 52" IS SHOWN. OTHER DEPTHS ARE AVAILABLE UPON REQUEST.

NOTE 2: FOR PVC SIZES SMALLER THAN 4", USE CONCAST RC41 (REDUCING COUPLER).

NOTE 3: FOR ADDED SECURITY, PENTA HEAD BOLTS (P/N: PTA.5-1.5) CAN BE ADDED

PEDESTRIAN RATED - 200 LB. PER SQ. FOOT

DRAWN BY: **JESSE GUTTING**

CREATED DATE: **4/17/2020** REVISION LEVEL: **0**

SAVED DATE: **4/20/2020** SAVED BY: **jgutting**

WEIGHT: **2559 LBS.** MATERIAL: **NOTED**

CONCAST
1010 NORTH STAR DRIVE
P.O. BOX 69
ZUMBROTA, MN 55992-0069

DESCRIPTION:

PULL BOX W/ ALUMINUM COVER

DIMENSIONS ARE IN INCHES

TOLERANCES:
FRACTIONAL: ± 1/8"
ANGULAR: ± 2°

CONTACT INFORMATION:
EMAIL: INFO@CONCASTINC.COM
PHONE: (507) 732-4095
FAX: (507) 732-4094

SHEET 1 OF 1

PART NUMBER:

PB4-32-44-52-A