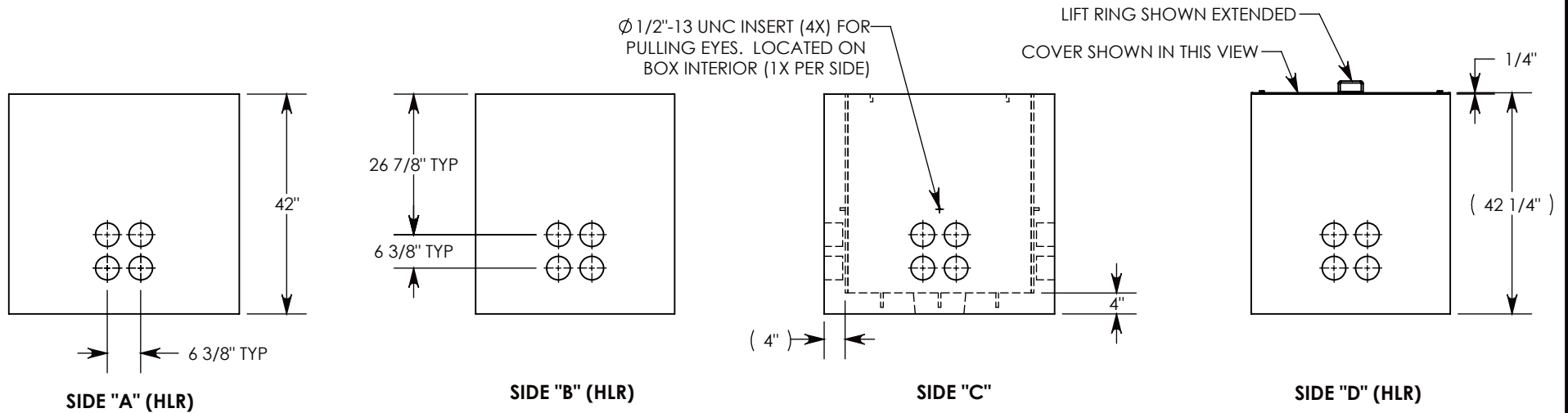
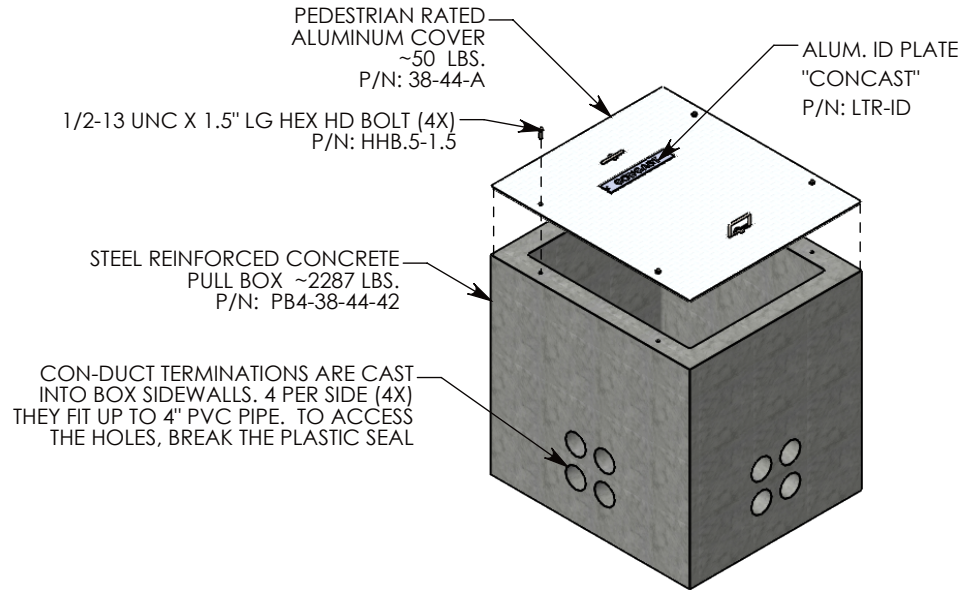
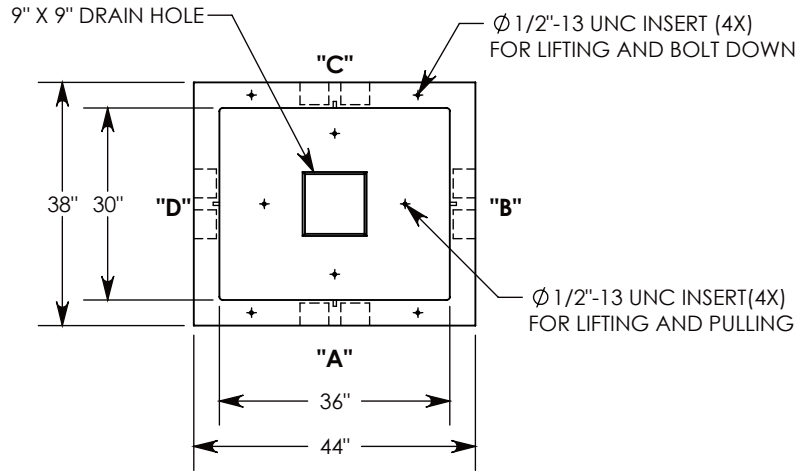


REV. A - JCG - 5/14/2018 - UPDATED COVER & ADDED BOLTS
 REV. B - SIC - 2/19/2020 - UPDATED DRAWING; UPDATED COVER WEIGHT, WAS 48 LBS



NOTE 1: FOR PVC SIZES SMALLER THAN 4", USE CONCAST RC41 (REDUCING COUPLER).
NOTE 2: FOR ADDED SECURITY, PENTA HEAD BOLTS (P/N: PTA.5-1.5) CAN BE ADDED

PEDESTRIAN RATED - 200 LB. PER SQ. FOOT

DRAWN BY: ROBIN FLINT		 1010 NORTH STAR DRIVE P.O. BOX 69 ZUMBROTA, MN 55992-0069	DESCRIPTION: CONCRETE PULL BOX W/AL COVER		
CREATED DATE: 4/16/2010	REVISION LEVEL: B		DIMENSIONS ARE IN INCHES TOLERANCES: FRACTIONAL: ± 1/8" ANGULAR: ± 2°	CONTACT INFORMATION: EMAIL: INFO@CONCASTINC.COM PHONE: (507) 732-4095 FAX: (507) 732-4094	SHEET 1 OF 1
SAVED DATE: 2/19/2020	SAVED BY: scallahan		PART NUMBER: PB4-38-44-42-A		
WEIGHT: 2337 LBS.	MATERIAL: NOTED				