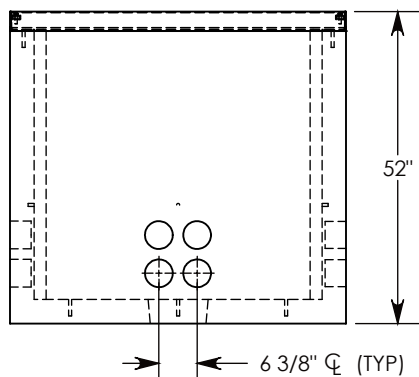
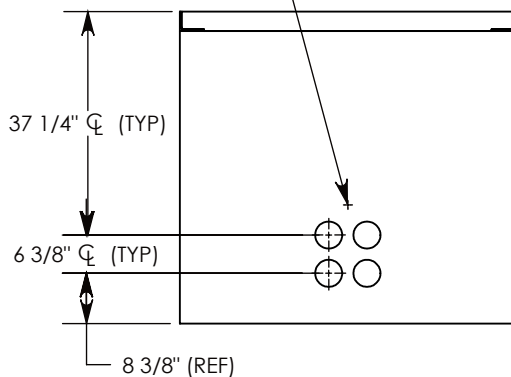


Ø 1/2\"-13 UNC INSERT (4X) FOR PULLING EYES. LOCATED ON BOX INTERIOR (1X PER SIDE)

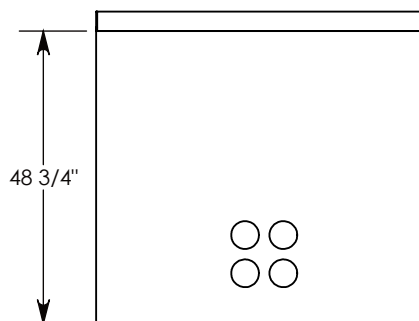
CON-DUCT TERMINATIONS ARE CAST INTO BOX SIDEWALLS. 4 PER SIDE (4X) THEY FIT UP TO 4\" PVC PIPE. TO ACCESS THE HOLES, BREAK THE PLASTIC SEAL



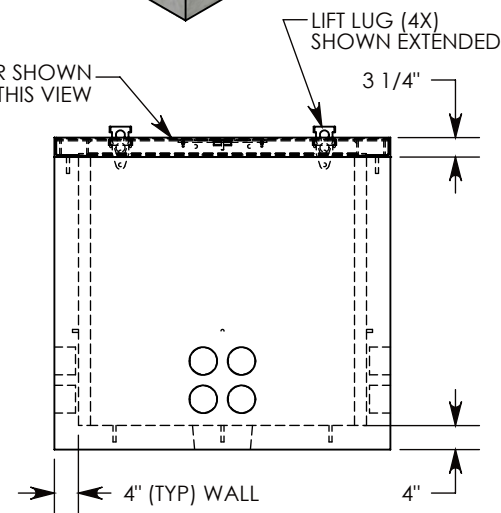
SIDE "A"



SIDE "B" (HLR)



SIDE "C" (HLR)



SIDE "D"

NOTE 1: FOR PVC SIZES SMALLER THAN 4", USE CONCAST RC41 (REDUCING COUPLER)
NOTE 2: FOR ADDED SECURITY, ORDER WITH SURELOCK BOLTS P/N: PB4-56-56-52-RSGBDSL

H-20 RATED - 32,000 LB. PER AXLE LOAD.

DRAWN BY: ROBIN FLINT

DATE: 2/15/2016

REVISION LEVEL: A

4526 LBS. W/COVER
WEIGHT:

MATERIAL:
NOTED



DESCRIPTION:

PULL BOX W/ GALV. STEEL BD COVER

DIMENSIONS ARE IN INCHES
 TOLERANCES:
 FRACTIONAL: ± 1/8"
 ANGULAR: ± 2°

CONTACT INFORMATION:
 EMAIL: INFO@CONCASTINC.COM
 PHONE: (507) 732-4095
 FAX: (507) 732-4094

SHEET 1 OF 1

PART NUMBER:

PB4-56-56-52-RSGBD