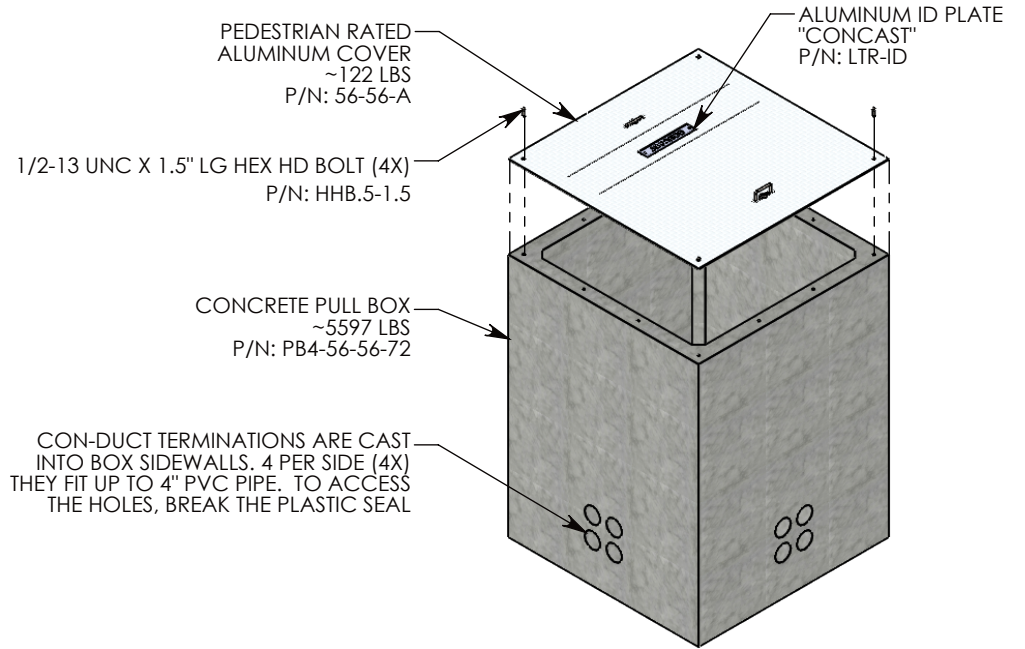
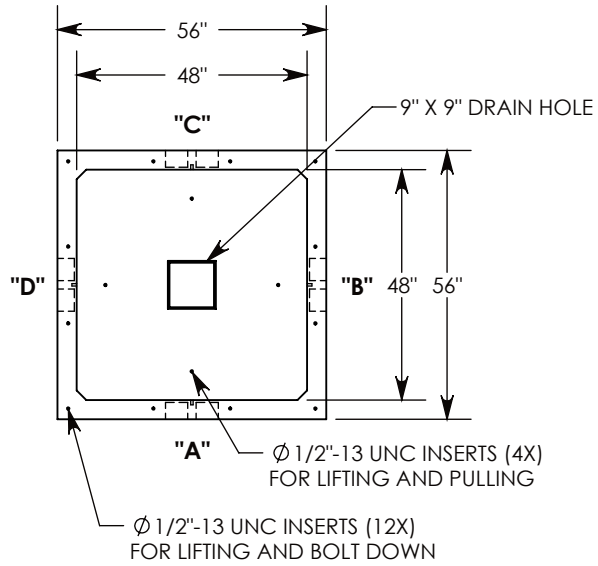


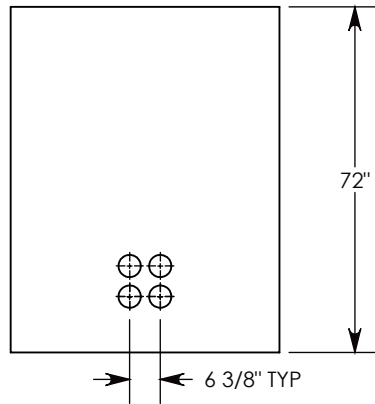
REV. B - SIC - 10/9/2019 - UPDATED NOTES: 1/2"-13 UNC BOLT DOWN INSERTS, QTY: 12 WAS QTY: 4
 REV. C - SIC - 2/19/2020 - UPDATED ALUMINUM COVER WEIGHT, WAS 127 LBS



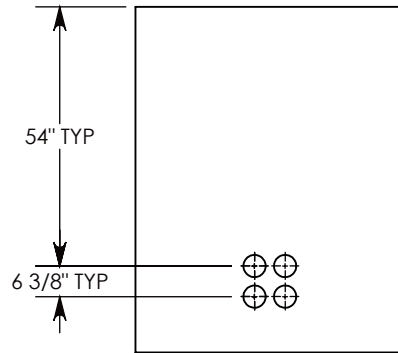
CON-DUCT TERMINATIONS ARE CAST INTO BOX SIDEWALLS. 4 PER SIDE (4X) THEY FIT UP TO 4" PVC PIPE. TO ACCESS THE HOLES, BREAK THE PLASTIC SEAL

Ø 1/2"-13 UNC INSERT (4X) FOR PULLING EYES. LOCATED ON BOX INTERIOR (1X PER SIDE)

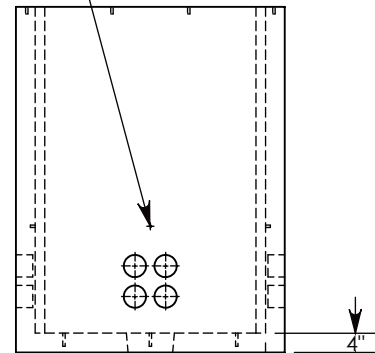
LIFTING RING SHOWN EXTENDED COVER SHOWN IN THIS VIEW



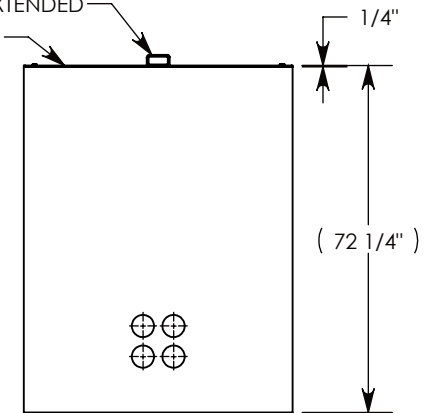
SIDE "A" (HLR)



SIDE "B" (HLR)



SIDE "C"



SIDE "D" (HLR)

NOTE 1: FOR PVC SIZES SMALLER THAN 4", USE CONCAST RC41 (REDUCING COUPLER)
 NOTE 2: FOR ADDED SECURITY, PENTA HEAD BOLTS (P/N.5-1.5) CAN BE ADDED

PEDESTRIAN RATED - 200 LB. PER SQ. FOOT

DRAWN BY: MALACHI MLINAR	
CREATED DATE: 3/26/2010	REVISION LEVEL: C
SAVED DATE: 2/19/2020	SAVED BY: scallahan
WEIGHT: 5720 LBS.	MATERIAL: NOTED



1010 NORTH STAR DRIVE
 P.O. BOX 69
 ZUMBROTA, MN 55992-0069

DESCRIPTION: PULL BOX W/ ALUMINUM COVER		SHEET 1 OF 1
DIMENSIONS ARE IN INCHES TOLERANCES: FRACTIONAL: ± 1/8" ANGULAR: ± 2°	CONTACT INFORMATION: EMAIL: INFO@CONCASTINC.COM PHONE: (507) 732-4095 FAX: (507) 732-4094	
PART NUMBER: PB4-56-56-72-A		