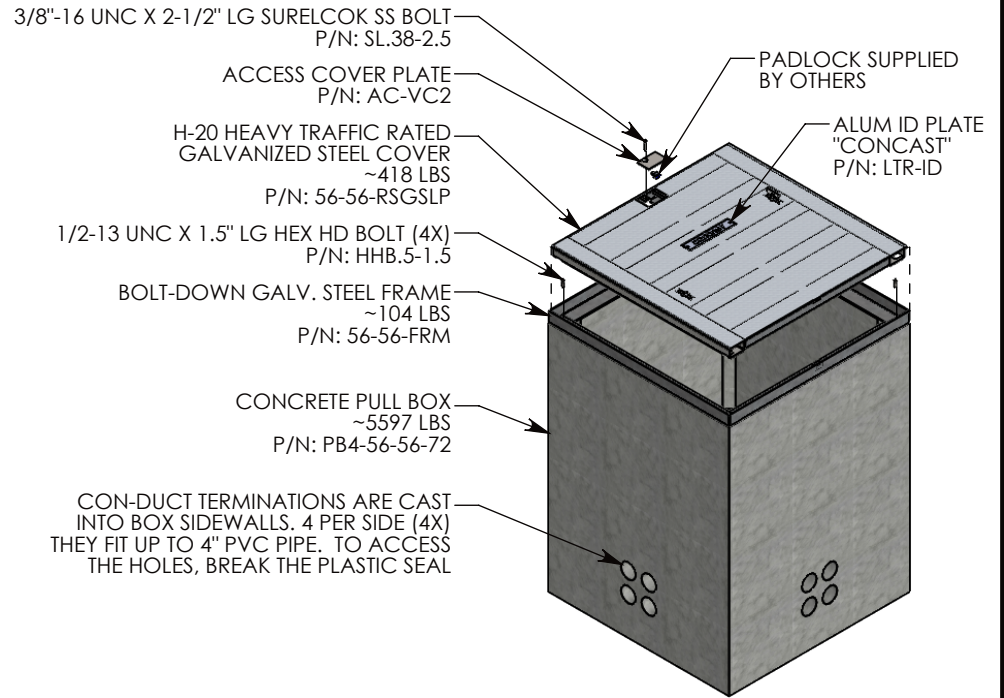
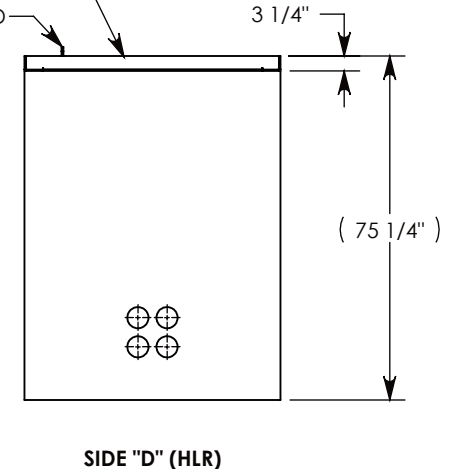
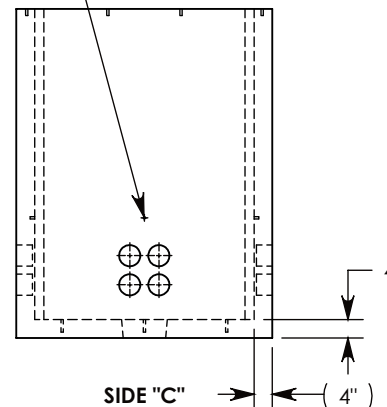
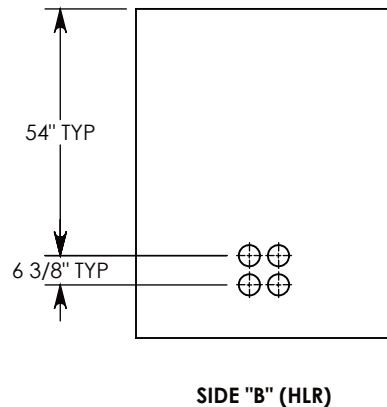
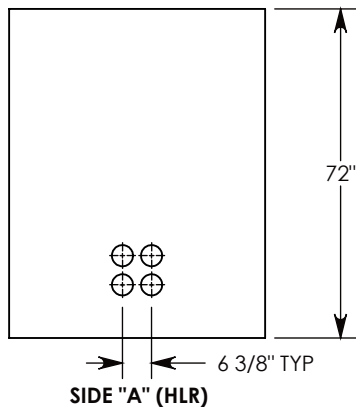


$\varnothing 1/2"-13 \text{ UNC INSERT (4X)}$  FOR PULLING EYES. LOCATED ON BOX INTERIOR (1X PER SIDE)



COVER SHOWN IN THIS VIEW

LIFTING LUG SHOWN EXTENDED

**NOTE 1:** FOR PVC SIZES SMALLER THAN 4", USE CONCAST RC41 (REDUCING COUPLER)

AASHTO H-20 RATED – 32,000 LB. SINGLE AXLE LOAD

<b>DRAWN BY:</b> MALACHI MLINAR	
<b>CREATED DATE:</b> 9/20/2018	<b>REVISION LEVEL:</b> B
<b>SAVED DATE:</b> 10/9/2019	<b>SAVED BY:</b> scallahan
<b>WEIGHT:</b> 6120 LBS.	<b>MATERIAL:</b> NOTED

1010 NORTH STAR DRIVE  
 P.O. BOX 69  
 ZUMBROTA, MN 55992-0069

<b>DESCRIPTION:</b> <b>PULL BOX W/ GALV. STEEL COVER</b>	
DIMENSIONS ARE IN INCHES TOLERANCES: FRACTIONAL: $\pm 1/8"$ ANGULAR: $\pm 2^\circ$	CONTACT INFORMATION: EMAIL: INFO@CONCASTINC.COM PHONE: (507) 732-4095 FAX: (507) 732-4094
<b>PART NUMBER:</b> <b>PB4-56-56-72-RSGSLP</b>	
SHEET 1 OF 1	