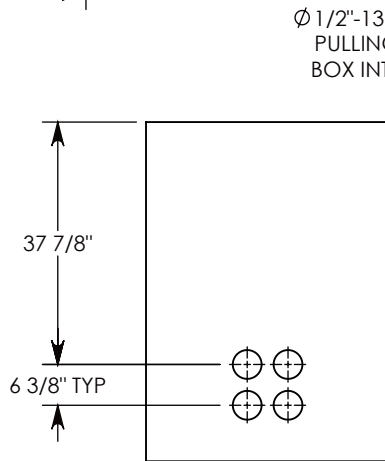
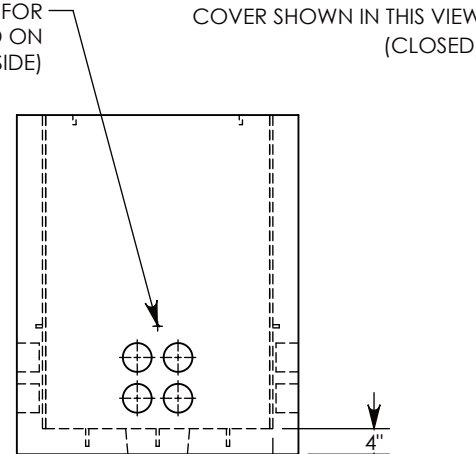


SIDE "A" (HLR)

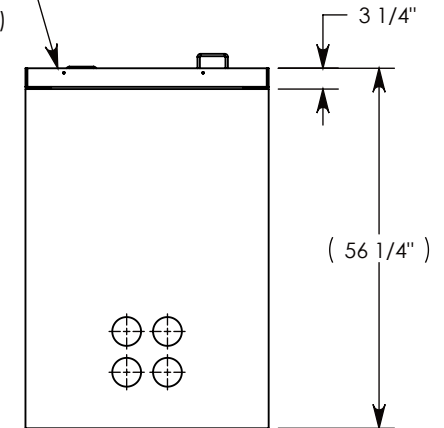


SIDE "B" (HLR)

Ø 1/2"-13 UNC INSERT (4X) FOR  
PULLING EYES. LOCATED ON  
BOX INTERIOR (1X PER SIDE)



SIDE "C"



SIDE "D" (HLR)

**NOTE 1:** FOR PVC SIZES SMALLER THAN 4", USE CONCAST RC41 (REDUCING COUPLER)  
**NOTE 2:** FOR ADDED SECURITY, REPLACE PENTA HEAD BOLT WITH SURELOCK BOLT (P/N: SL.38-2.5)

AASHTO H-20 RATED – 32,000 LB. SINGLE AXLE LOAD

DRAWN BY: <b>JESSE GUTTING</b>	
CREATED DATE: <b>6/15/2021</b>	REVISION LEVEL: <b>0</b>
SAVED DATE: <b>4/13/2022</b>	SAVED BY: <b>jgutting</b>
WEIGHT: <b>3111 LBS.</b>	MATERIAL: <b>NOTED</b>

1010 NORTH STAR DRIVE  
P.O. BOX 69  
ZUMBROTA, MN 55992-0069

DESCRIPTION: <b>CONCRETE PULL BOX W/SPA COVER</b>		SHEET 1 OF 1
DIMENSIONS ARE IN INCHES TOLERANCES: FRACTIONAL: ± 1/8" ANGULAR: ± 2°	CONTACT INFORMATION: EMAIL: <a href="mailto:INFO@CONCASTINC.COM">INFO@CONCASTINC.COM</a> PHONE: (507) 732-4095 FAX: (507) 732-4094	
PART NUMBER: <b>PB4-38-44-53-SPA-LK</b>		