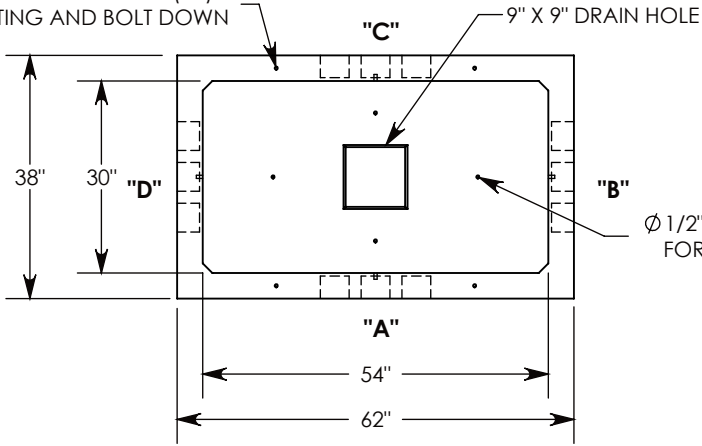


Ø 1/2"-13 UNC INSERTS (4X)
FOR LIFTING AND BOLT DOWN

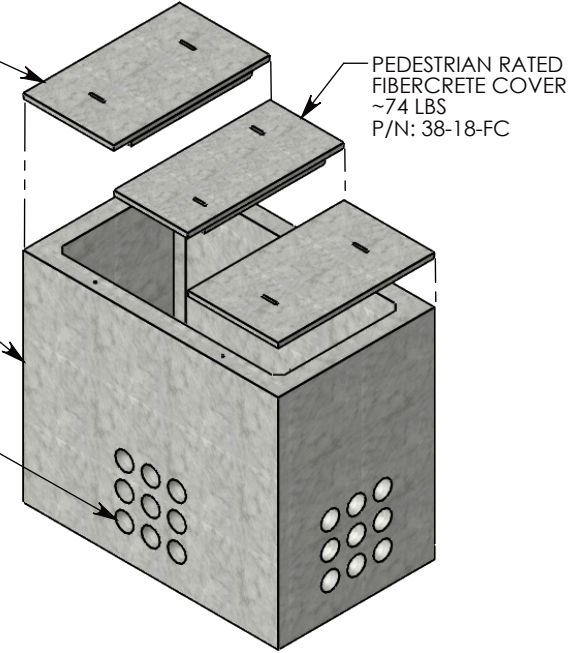


PEDESTRIAN RATED
FIBERCRETE COVER (2X)
~75 LBS EACH
P/N: 38-22-FC

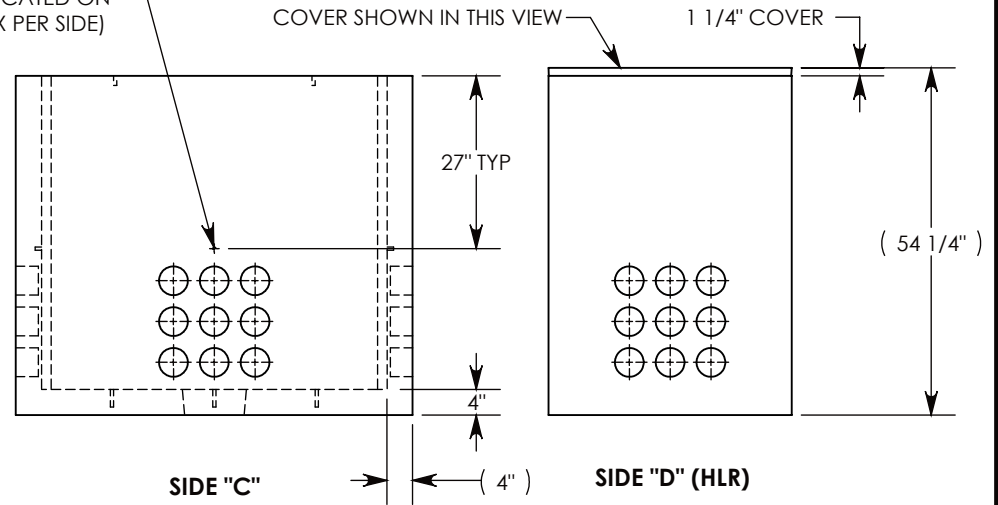
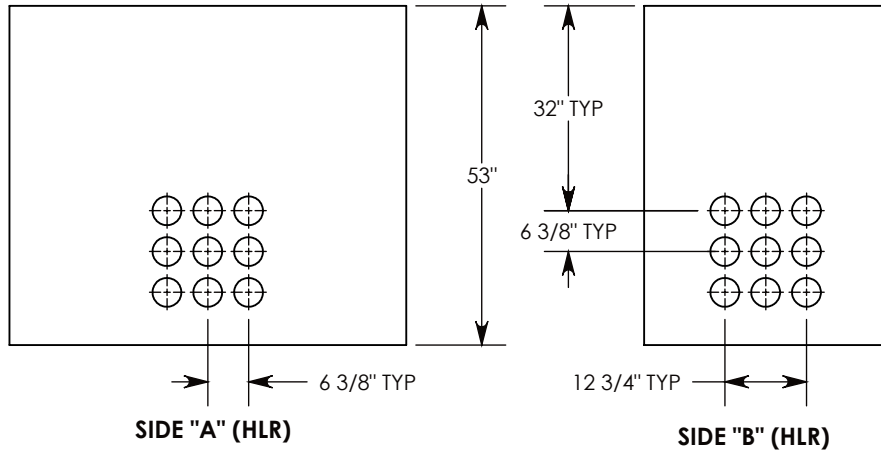
PEDESTRIAN RATED
FIBERCRETE COVER
~74 LBS
P/N: 38-18-FC

CONCRETE PULL BOX
~3549 LBS
P/N: PB9-38-62-53

CON-DUCT TERMINATIONS ARE CAST
INTO BOX SIDEWALLS. 9 PER SIDE (4X)
THEY FIT UP TO 4" PVC PIPE. TO ACCESS
THE HOLES, BREAK THE PLASTIC SEAL.



Ø 1/2"-13 UNC INSERT (4X) FOR
PULLING EYES. LOCATED ON
BOX INTERIOR (1X PER SIDE)



NOTE 1: FOR PVC SIZES SMALLER THAN 4", USE CONCAST RC41 (REDUCING COUPLER).

PEDESTRIAN RATED - 200 LB. PER SQ. FOOT

DRAWN BY: ROBIN FLINT	
DATE: 5/25/2018	REVISION LEVEL: B
WEIGHT: 3773 LBS. W/COVER	MATERIAL: NOTED



CONCAST
1010 NORTH STAR DRIVE
P.O. BOX 69
ZUMBROTA, MN 55992-0069

DESCRIPTION: PULL BOX W/FIBERCRETE COVERS		
DIMENSIONS ARE IN INCHES TOLERANCES: FRACTIONAL: ± 1/8" ANGULAR: ± 2°	CONTACT INFORMATION: EMAIL: INFO@CONCASTINC.COM PHONE: (507) 732-4095 FAX: (507) 732-4094	SHEET 1 OF 1
PART NUMBER: PB9-38-62-53-FC		