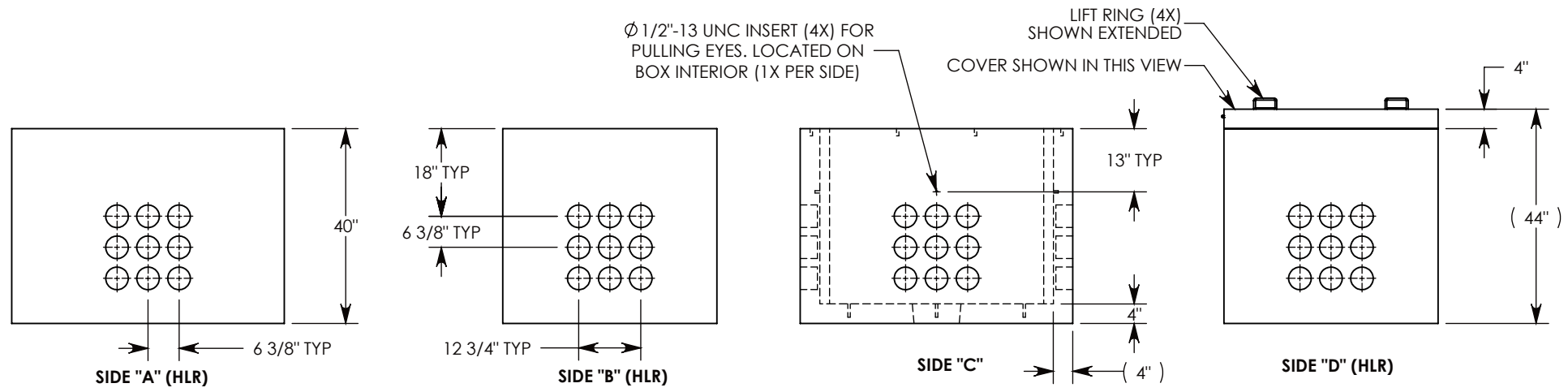
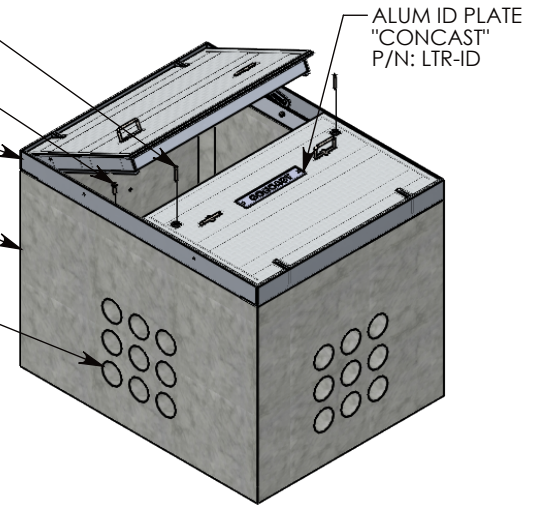


- 3/8-16 UNC X 2.5" LG HEX HD BOLT (2X)
P/N: HHB.38-2.5
- 1/2-13 UNC X 1.5" LG HEX HD BOLT (4X)
P/N: HHB.5-1.5
- BOLT-DOWN ALUMINUM FRAME & HALT COVER
~184 LBS
P/N: 44-56-HALT
- CONCRETE PULL BOX
~2796 LBS
P/N: PB9-44-56-40
- CON-DUCT TERMINATIONS ARE CAST INTO BOX SIDEWALLS. 9 PER SIDE THEY FIT UP TO 4" PVC PIPE. TO ACCESS THE HOLES, BREAK THE PLASTIC SEAL.



NOTE 1: FOR PVC SIZES SMALLER THAN 4", USE CONCAST RC41 (REDUCING COUPLER).

NOTE 2: FOR ADDED SECURITY, PENTA HEAD (P/N: PTA.38-2.5) OR SURELOCK BOLTS (P/N: SL.38-2.5) CAN BE ADDED

AASHTO H-10 RATED – 16,000 LB. SINGLE AXLE LOAD

DRAWN BY: MALACHI MLINAR		 1010 NORTH STAR DRIVE P.O. BOX 69 ZUMBROTA, MN 55992-0069	DESCRIPTION:	
DATE: 3/22/2019	REVISION LEVEL: 0		PULL BOX W/ HALT COVER	
WEIGHT: 2981 LBS.	MATERIAL: NOTED		DIMENSIONS ARE IN INCHES TOLERANCES: FRACTIONAL: ± 1/8" ANGULAR: ± 2°	CONTACT INFORMATION: EMAIL: INFO@CONCASTINC.COM PHONE: (507) 732-4095 FAX: (507) 732-4094
		PART NUMBER: PB9-44-56-40-HALT		