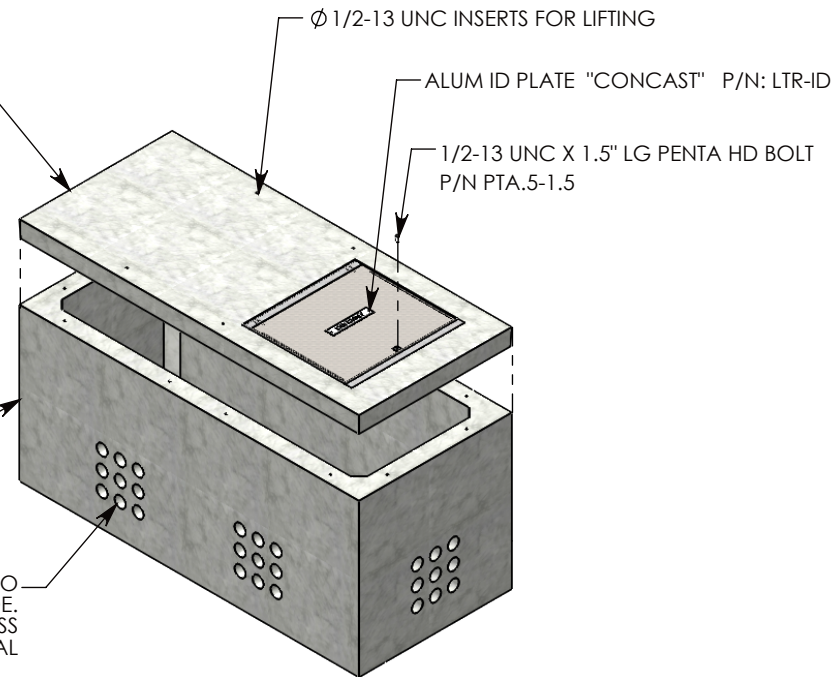
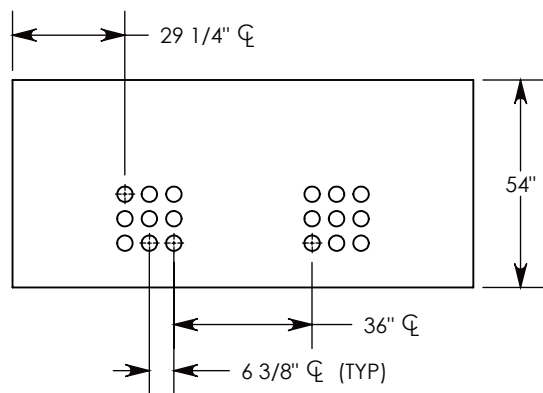


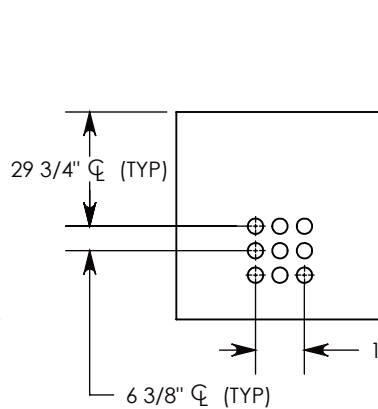
H-20 HEAVY TRAFFIC RATED REINFORCED CONCRETE COVER WITH SPRING-ASSISTED GALVANIZED STEEL LID CAST-IN LID P/N: 54-120-SA ~2,702 LBS.



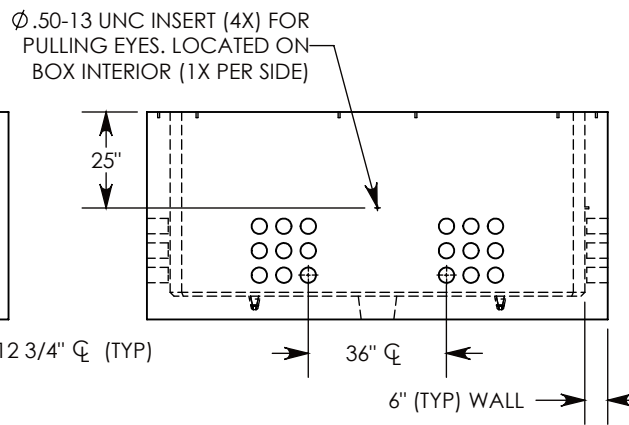
CON-DUCT TERMINATIONS ARE CAST INTO BOX SIDEWALLS. SETS OF 9 ON EACH SIDE. THEY FIT UP TO 4" PVC PIPE. TO ACCESS THE HOLES, BREAK THE PLASTIC SEAL



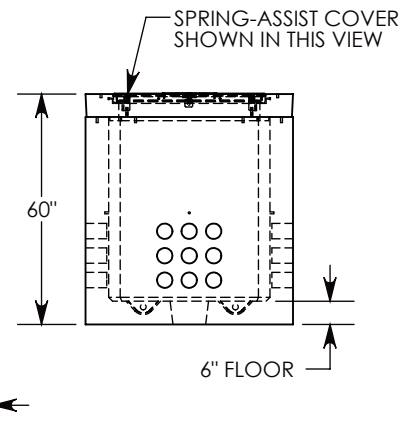
SIDE "A" (HLR)



SIDE "B" (HLR)



SIDE "C"



SIDE "D"

NOTE 1: FOR PVC SIZES SMALLER THAN 4", USE CONCAST RC41 (REDUCING COUPLER).

H-20 RATED - 32,000 LB. PER AXLE LOAD.

DRAWN BY: ROBIN FLINT

DATE: 1/1/2017

REVISION LEVEL: A

WEIGHT:

MATERIAL:

13250 LBS. W/COVER

NOTED



1010 NORTH STAR DRIVE
P.O. BOX 69
ZUMBROTA, MN 55992-0069

DESCRIPTION:

PULL BOX WITH SPRING-ASSIST RSG COVER

DIMENSIONS ARE IN INCHES

TOLERANCES:
FRACTIONAL: \pm 1/8"
ANGULAR: \pm 2°

CONTACT INFORMATION:

EMAIL: INFO@CONCASTINC.COM
PHONE: (507) 732-4095
FAX: (507) 732-4094

SHEET 1 OF 1

PART NUMBER:

PB9-54-120-54-SA