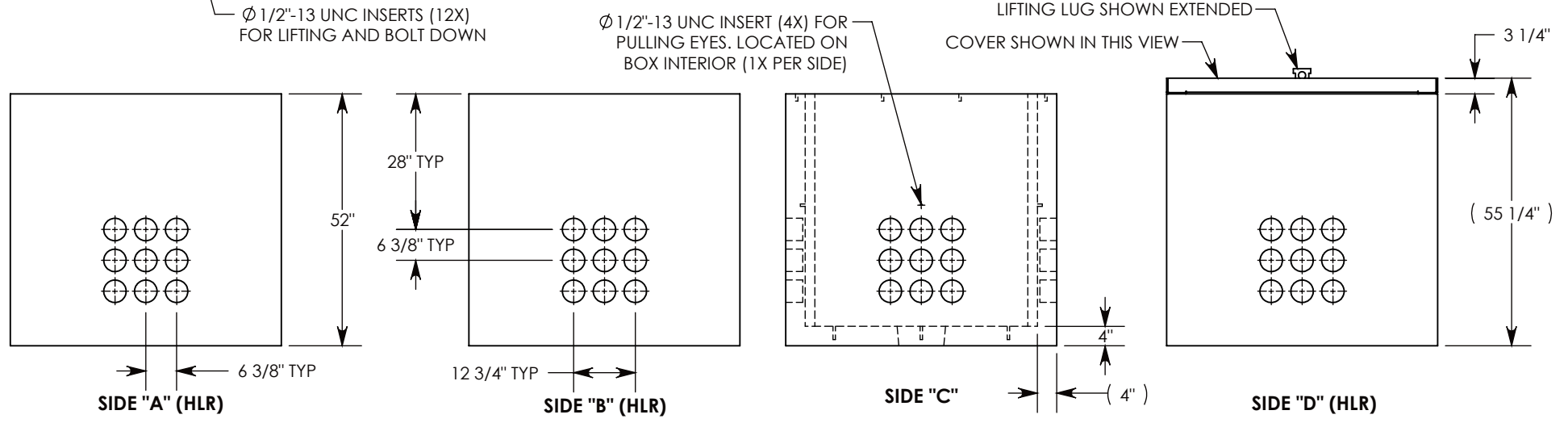
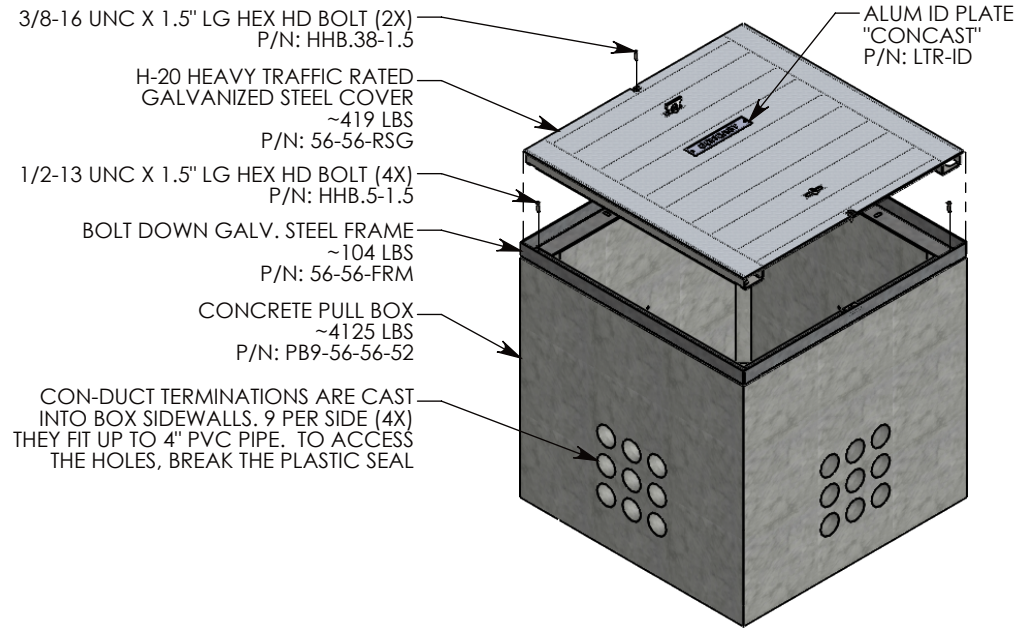
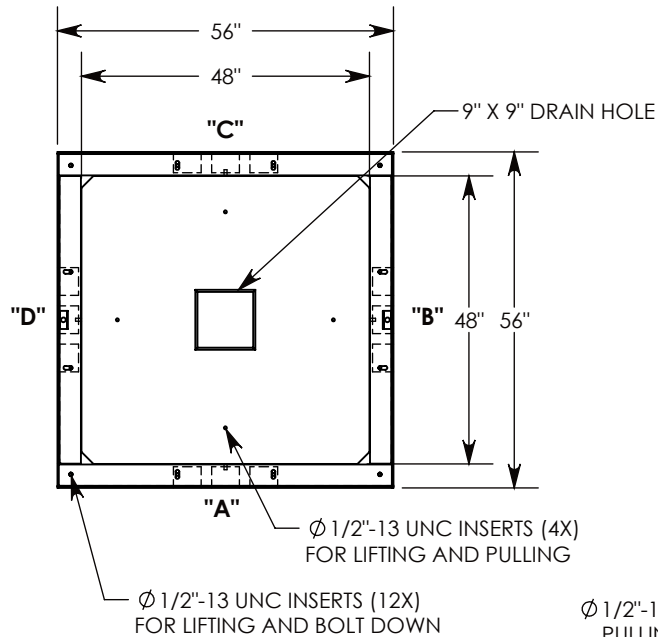


REV. B - MKM - 6/4/2018 - UPDATED MODEL & DRAWING  
 REV. C - SIC - 5/22/2019 - UPDATED SURELOCK NOTE  
 REV. D - SIC - 10/9/2019 - UPDATED NOTES AND DIMENSIONS; 1/2"-13 UNC BOLT DOWN INSERTS, QTY: 12 WAS QTY: 4



**NOTE 1:** FOR PVC SIZES SMALLER THAN 4", USE CONCAST RC41 (REDUCING COUPLER)  
**NOTE 2:** FOR ADDED SECURITY, PENTA HEAD (P/N: PTA.38-1.5) OR SURELOCK BOLTS (P/N: SL.38-1.25) CAN BE ADDED  
 AASHTO H-20 RATED – 32,000 LB. SINGLE AXLE LOAD

<b>DRAWN BY:</b> ROBIN FLINT	
<b>CREATED DATE:</b> 3/26/2010	<b>REVISION LEVEL:</b> D
<b>SAVED DATE:</b> 10/9/2019	<b>SAVED BY:</b> scallahan
<b>WEIGHT:</b> 4649 LBS.	<b>MATERIAL:</b> NOTED



1010 NORTH STAR DRIVE  
 P.O. BOX 69  
 ZUMBROTA, MN 55992-0069

<b>DESCRIPTION:</b> PULL BOX W/ GALV. STEEL COVER		
DIMENSIONS ARE IN INCHES TOLERANCES: FRACTIONAL: ± 1/8" ANGULAR: ± 2°	CONTACT INFORMATION: EMAIL: INFO@CONCASTINC.COM PHONE: (507) 732-4095 FAX: (507) 732-4094	SHEET 1 OF 1
<b>PART NUMBER:</b> PB9-56-56-52-RSG		