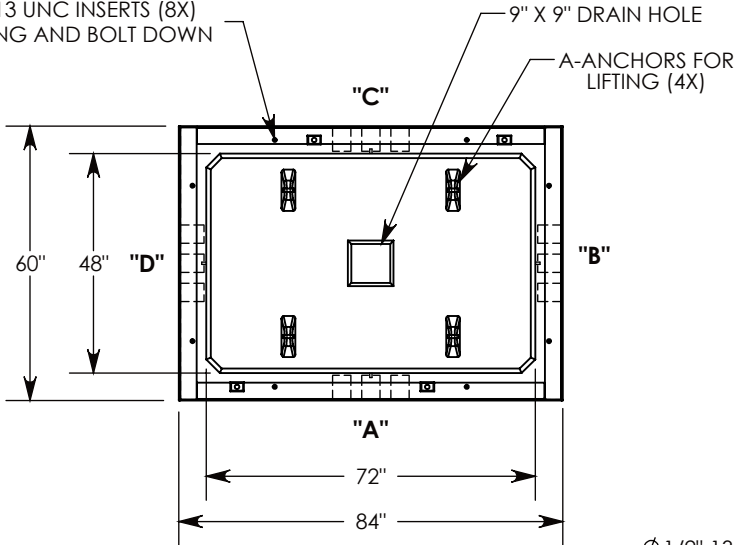


REV B - MKM - 8/14/18 - UPDATED HARDWARE FOR BOLT DOWN
 REV C - SIC - 6/6/2019 - UPDATED SURELOCK NOTE

Ø 1/2"-13 UNC INSERTS (8X)
 FOR LIFTING AND BOLT DOWN



3/8-16 UNC X 1.5" LG HEX HD BOLT (4X)
 P/N: HHB.38-1.5

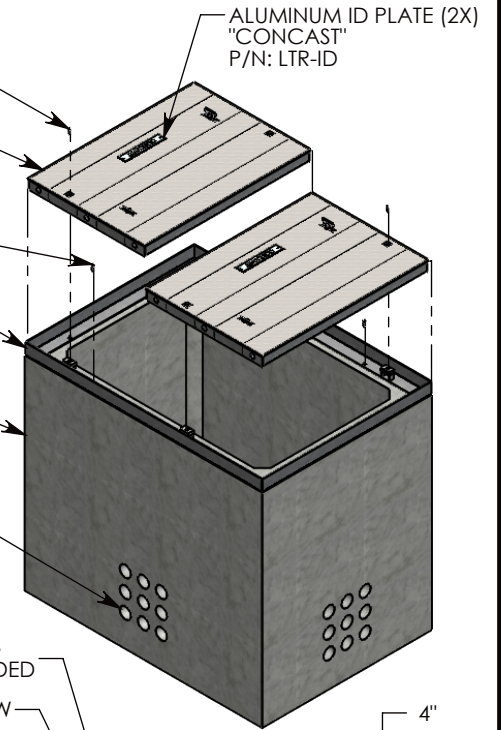
H-20 HEAVY TRAFFIC RATED
 GALVANIZED STEEL COVER (2X)
 ~331 LBS
 P/N: 60-42-RSG

1/2-13 UNC X 1.5" LG HEX HD BOLT (8X)
 P/N: HHB.5-1.5

BOLT DOWN GALV. STEEL FRAME
 ~153 LBS
 P/N: 60-84-FRM

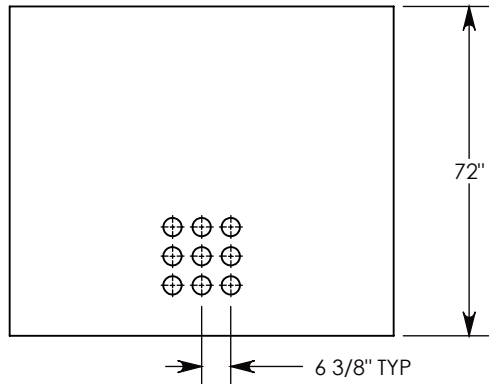
CONCRETE PULL BOX
 ~10884 LBS
 P/N: PB9-60-84-72

CON-DUCT TERMINATIONS ARE CAST
 INTO BOX SIDEWALLS. 9 PER SIDE (4X)
 THEY FIT UP TO 4" PVC PIPE. TO ACCESS
 THE HOLES, BREAK THE PLASTIC SEAL

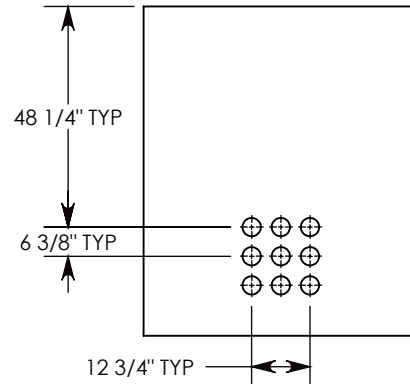


Ø 1/2"-13 UNC INSERT (4X) FOR
 PULLING EYES. LOCATED ON
 BOX INTERIOR (1X PER SIDE)

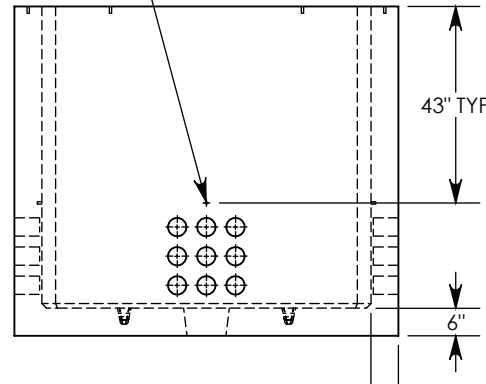
LIFTING LUG
 SHOWN EXTENDED
 COVER SHOWN IN THIS VIEW



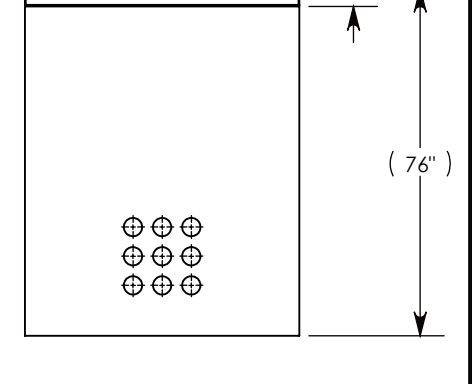
SIDE "A" (HLR)



SIDE "B" (HLR)



SIDE "C"



SIDE "D" (HLR)

NOTE 1: FOR PVC SIZES SMALLER THAN 4", USE CONCAST RC41 (REDUCING COUPLER)

NOTE 2: FOR ADDED SECURITY, PENTA HEAD (P/N: PTA.38-1.5) OR SURELOCK BOLTS (P/N: SL.38-1.25) CAN BE ADDED

AASHTO H-20 RATED - 32,000 LB. SINGLE AXLE LOAD

DRAWN BY: ROBIN FLINT

DATE: 6/6/2019

REVISION LEVEL: C

WEIGHT:

MATERIAL:

11700 LBS. W/COVERS

NOTED



DESCRIPTION:

PULL BOX W/GALV. STEEL COVERS

DIMENSIONS ARE IN INCHES
 TOLERANCES:
 FRACTIONAL: ± 1/8"
 ANGULAR: ± 2°

CONTACT INFORMATION:
 EMAIL: INFO@CONCASTINC.COM
 PHONE: (507) 732-4095
 FAX: (507) 732-4094

SHEET 1 OF 1

PART NUMBER:

PB9-60-84-72-RSG