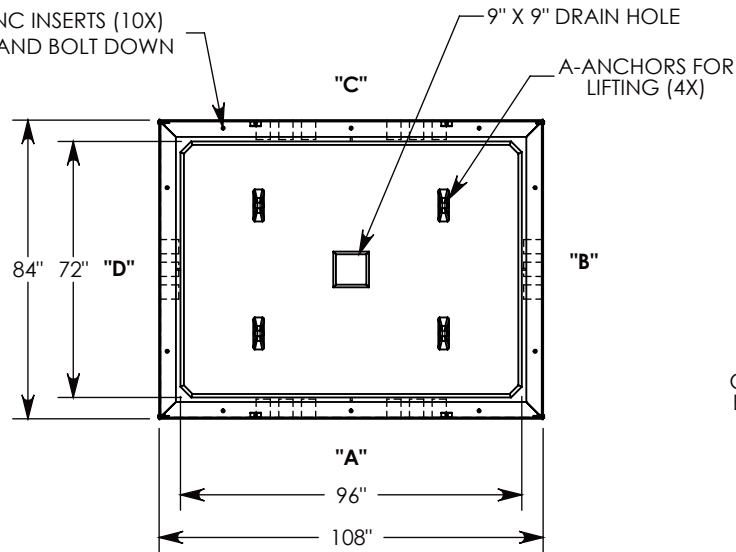


Ø 1/2"-13 UNC INSERTS (10X)
FOR LIFTING AND BOLT DOWN



3/8-16 UNC X 1.5" LG HEX HD BOLT (4X)
P/N: HHB.38-1.5

ALUMINUM ID PLATE (2X)
"CONCAST"
P/N: LTR-ID

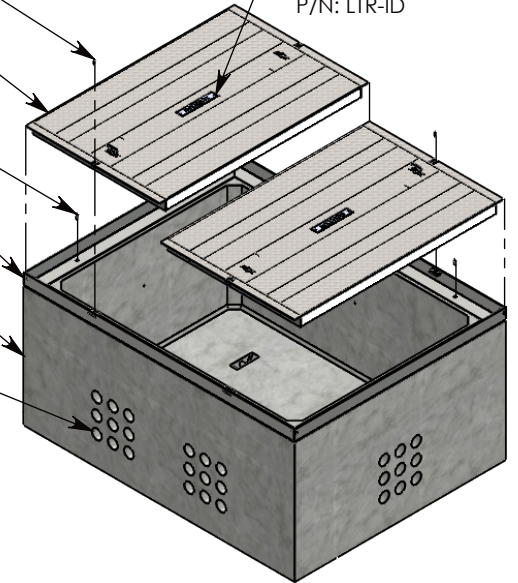
H-20 HEAVY TRAFFIC RATED
GALVANIZED STEEL COVER (2X)
~633 LBS
P/N: 84-54-RSG

1/2-13 UNC X 1.5" LG HEX HD BOLT (10X)
P/N: HHB.5-1.5

BOLT DOWN GALV. STEEL FRAME
~153 LBS
P/N: 84-108-FRM

CONCRETE PULL BOX
~11601 LBS
P/N: PB9-84-108-48

CON-DUCT TERMINATIONS ARE CAST INTO
BOX SIDEWALLS. SETS OF 9 ON EACH SIDE.
THEY FIT UP TO 4" PVC PIPE. TO ACCESS
THE HOLES, BREAK THE PLASTIC SEAL

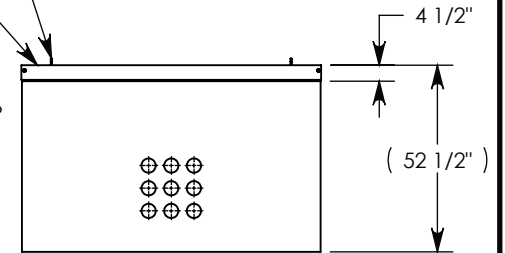
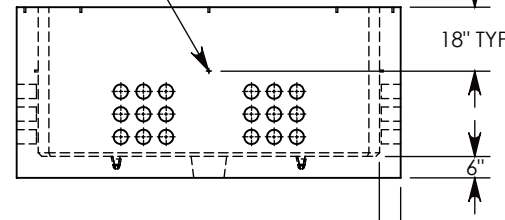
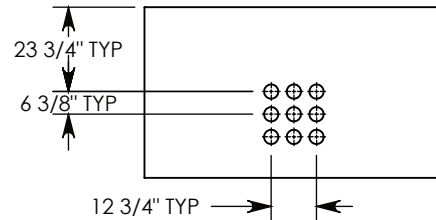
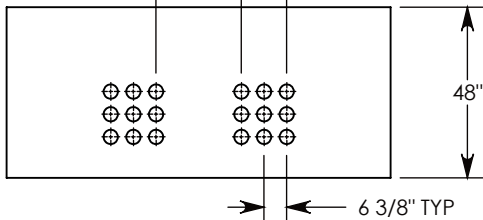


24" TYP 29 1/4" TYP

Ø 1/2"-13 UNC INSERT (4X) FOR
PULLING EYES. LOCATED ON
BOX INTERIOR (1X PER SIDE)

LIFTING RING
SHOWN EXTENDED

COVER SHOWN IN THIS VIEW



SIDE "A" (HLR)

SIDE "B" (HLR)

SIDE "C"

SIDE "D" (HLR)

NOTE 1: FOR PVC SIZES SMALLER THAN 4", USE CONCAST RC41 (REDUCING COUPLER).

NOTE 2: FOR ADDED SECURITY, PENTA HEAD (P/N: PTA.38-1.5) OR SURELOCK BOLTS (P/N: SL.38-1.25) CAN BE ADDED

AASHTO H-20 RATED - 32,000 LB. SINGLE AXLE LOAD

DRAWN BY: MALACHI MLINAR	
DATE: 6/12/2019	REVISION LEVEL: B
WEIGHT: 13100 LBS.	MATERIAL: NOTED

1010 NORTH STAR DRIVE
P.O. BOX 69
ZUMBROTA, MN 55992-0069

DESCRIPTION: PULL BOX W/ ALUMINUM COVER		
DIMENSIONS ARE IN INCHES TOLERANCES: FRACTIONAL: ± 1/8" ANGULAR: ± 2°	CONTACT INFORMATION: EMAIL: INFO@CONCASTINC.COM PHONE: (507) 732-4095 FAX: (507) 732-4094	SHEET 1 OF 1
PART NUMBER: PB9-84-108-48-RSG		