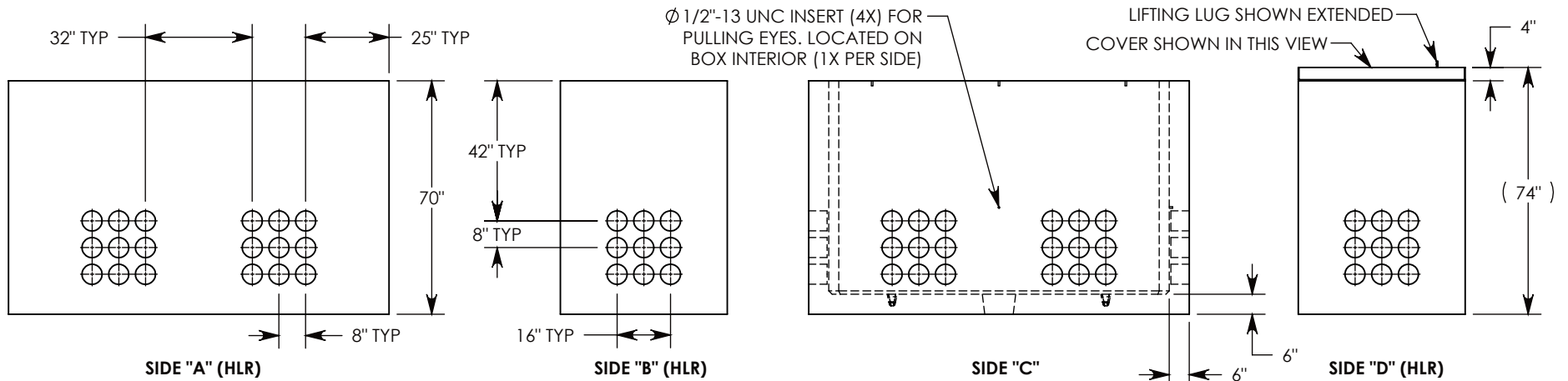


CONDUCT TERMINATIONS ARE CAST INTO BOX SIDEWALLS. SETS OF 9 ON EACH SIDE. THEY FIT UP TO 6\"/>



NOTE 1: FOR ADDED SECURITY, PENTA HEAD (P/N: PTA.38-1.5) OR SURELOCK BOLTS (P/N: SL.38-1.5) CAN BE ADDED

AASHTO H-20 RATED – 32,000 LB. SINGLE AXLE LOAD

| | |
|----------------------------------|----------------------------|
| DRAWN BY: SAMUEL CALLAHAN | |
| CREATED DATE: 9/13/2021 | REVISION LEVEL: 0 |
| SAVED DATE: 9/13/2021 | SAVED BY: scallahan |
| WEIGHT: 12682 LBS. | MATERIAL: NOTED |



1010 NORTH STAR DRIVE
P.O. BOX 69
ZUMBROTA, MN 55992-0069

DESCRIPTION:
CONCRETE PULL BOX W/ RSG COVERS

| | | |
|--|--|--------------|
| DIMENSIONS ARE IN INCHES TOLERANCES: FRACTIONAL: ± 1/8" ANGULAR: ± 2° | CONTACT INFORMATION: EMAIL: INFO@CONCASTINC.COM PHONE: (507) 732-4095 FAX: (507) 732-4094 | SHEET 1 OF 1 |
|--|--|--------------|

PART NUMBER:
PB96-50-114-70-RSG