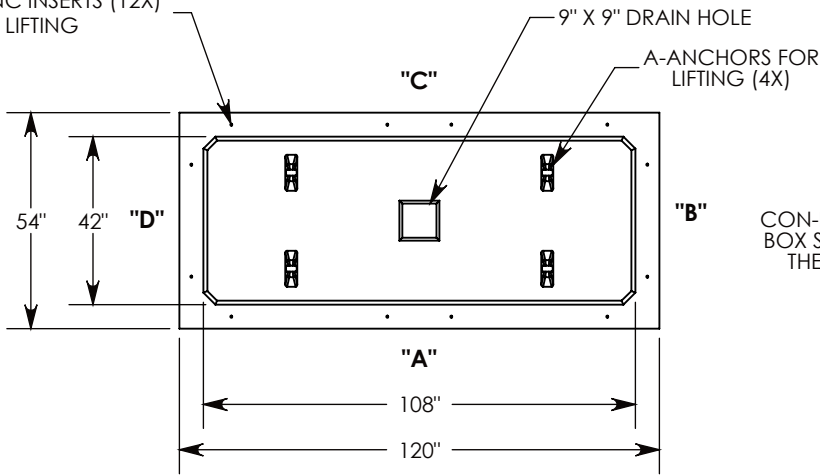
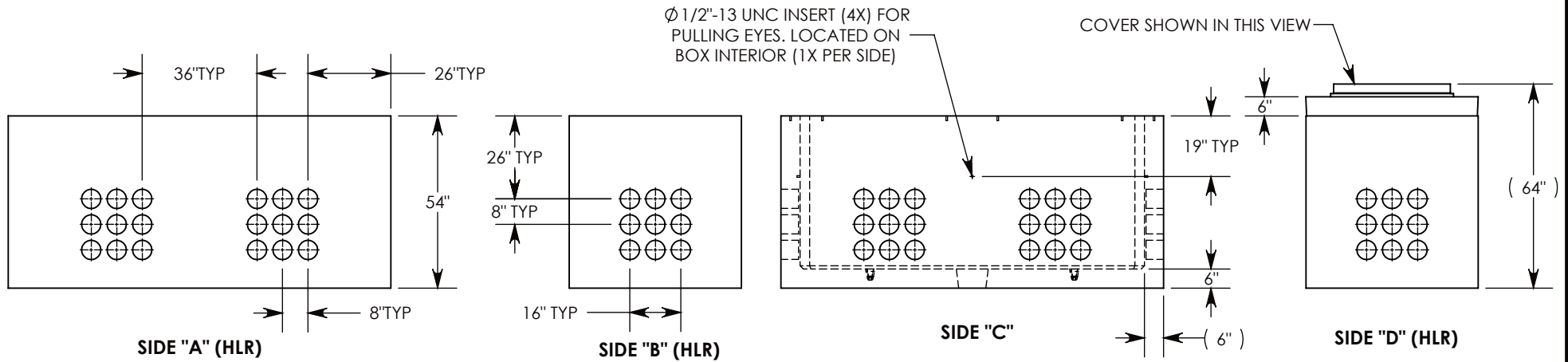
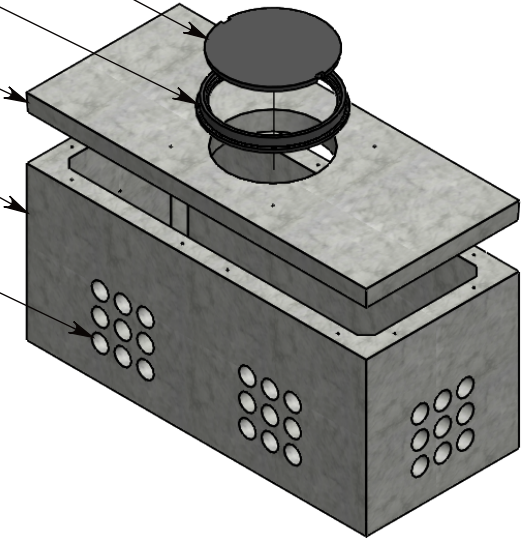


Ø 1/2"-13 UNC INSERTS (12X)
FOR LIFTING



- CAST IRON MANHOLE LID
~353 LBS
P/N: CI-38-32-CVR
- 34 INCH CAST IRON FRAME
~178 LBS
P/N: CI-38-32-FRM
- H-20 HEAVY TRAFFIC RATED
CONCRETE MANHOLE COVER
~3052 LBS
P/N: 54-120-MH
- CONCRETE PULL BOX
~10165 LBS
P/N: PB96-54-120-54

CON-DUCT TERMINATIONS ARE CAST INTO
BOX SIDEWALLS. SETS OF 9 ON EACH SIDE.
THEY FIT UP TO 6" PVC PIPE. TO ACCESS
THE HOLES, BREAK THE PLASTIC SEAL



AASHTO H-20 RATED - 32,000 LB. SINGLE AXLE LOAD

DRAWN BY: MALACHI MLINAR

DATE: 8/8/2018

REVISION LEVEL: A

WEIGHT:

13748 LBS. W/COVER

MATERIAL:

NOTED



DESCRIPTION:

PULL BOX W/MANHOLE COVER

DIMENSIONS ARE IN INCHES
TOLERANCES:
FRACTIONAL: ± 1/8"
ANGULAR: ± 2°

CONTACT INFORMATION:
EMAIL: INFO@CONCASTINC.COM
PHONE: (507) 732-4095
FAX: (507) 732-4094

SHEET 1 OF 1

PART NUMBER:

PB96-54-120-54-MH