

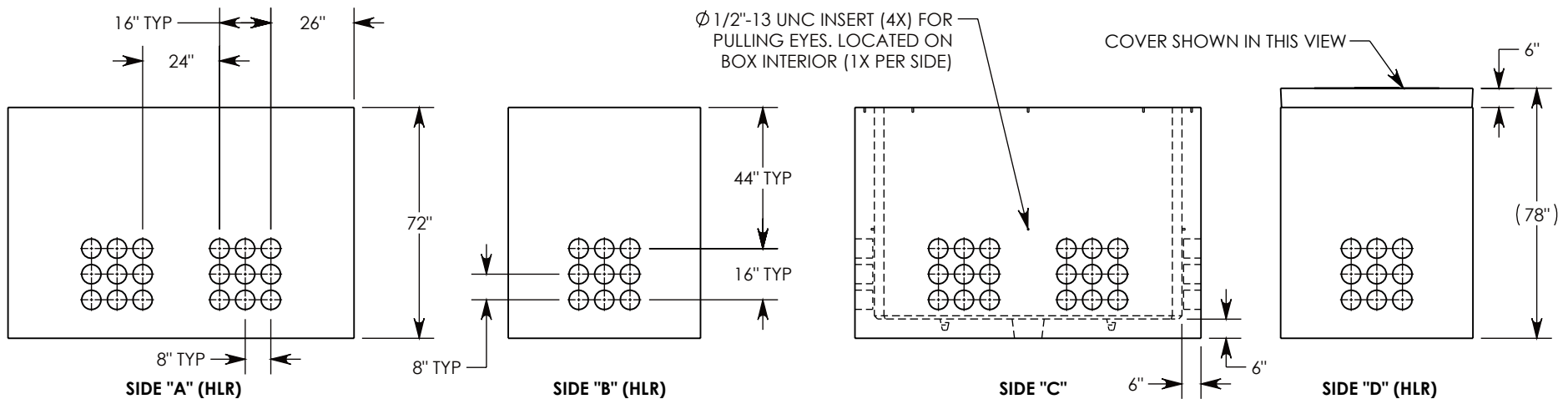
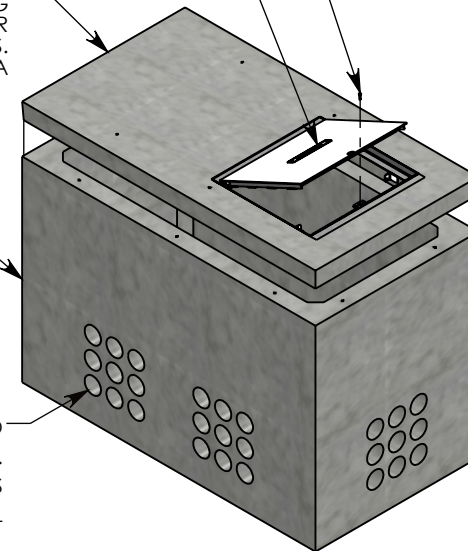
3/8-16 UNC X 1.5" LG HEX HD BOLT  
P/N: HHB.38-1.5

ALUM ID PLATE  
"CONCAST"  
P/N: LTR-ID

H-20 HEAVY TRAFFIC RATED  
CONCRETE CAST-IN SPRING  
ASSISTED GALV. STL. COVER  
~2652 LBS.  
P/N: 60-108-SA

CONCRETE PULL BOX  
~12667 LBS  
P/N: PB96-60-108-72

CON-DUCT TERMINATIONS ARE CAST INTO  
BOX SIDEWALLS. SETS OF 9 ON EACH SIDE.  
THEY FIT UP TO 6" PVC PIPE. TO ACCESS  
THE HOLES, BREAK THE PLASTIC SEAL



NOTE 1: FOR ADDED SECURITY, PENTA HEAD (P/N: PTA.38-1.5) OR SURELOCK BOLTS (P/N: SL.38-1.25) CAN BE ADDED

AASHTO H-20 RATED – 32,000 LB. SINGLE AXLE LOAD

**DRAWN BY: SAMUEL CALLAHAN**

**CREATED DATE: 11/8/2023** **REVISION LEVEL: 0**

**SAVED DATE: 11/8/2023** **SAVED BY: scallahan**

**WEIGHT: 15319 LBS.** **MATERIAL: NOTED**

**CONCAST**  
1010 NORTH STAR DRIVE  
P.O. BOX 69  
ZUMBROTA, MN 55992-0069

**DESCRIPTION:**

**PULL BOX W/ MANHOLE COVER**

DIMENSIONS ARE IN INCHES  
TOLERANCES:  
FRACTIONAL: ± 1/8"  
ANGULAR: ± 2°

CONTACT INFORMATION:  
EMAIL: INFO@CONCASTINC.COM  
PHONE: (507) 732-4095  
FAX: (507) 732-4094

SHEET 1 OF 1

**PART NUMBER:**

**PB96-60-108-72-SA**