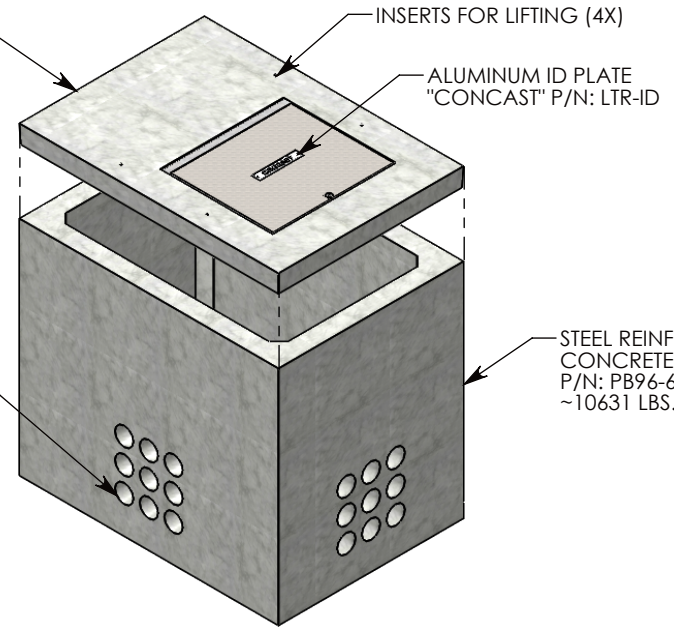


H-20 HEAVY TRAFFIC RATED
 SPRING ASSISTED GALV. STL.
 CAST-IN CONCRETE COVER
 ~1,979 LBS. P/N:60-84-SA

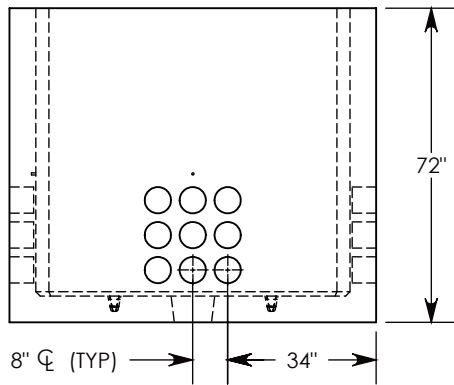


CON-DUCT TERMINATIONS ARE CAST
 INTO BOX SIDEWALLS. 9 PER SIDE (4X)
 THEY FIT UP TO 6" PVC PIPE, TO ACCESS
 THE HOLES, BREAK THE PLASTIC SEAL

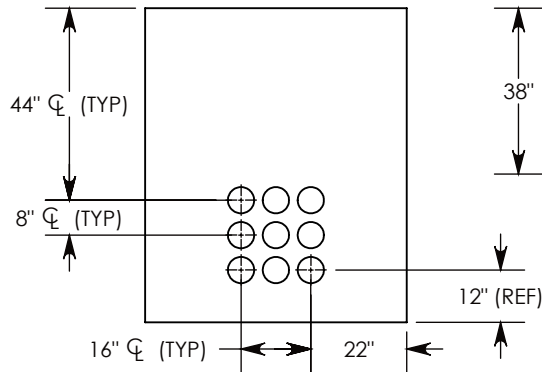
STEEL REINFORCED
 CONCRETE PULL BOX
 P/N: PB96-60-84-72
 ~10631 LBS.

Ø-13 UNC INSERT (4X) FOR
 PULLING EYES. LOCATED ON
 BOX INTERIOR (1X PER SIDE)

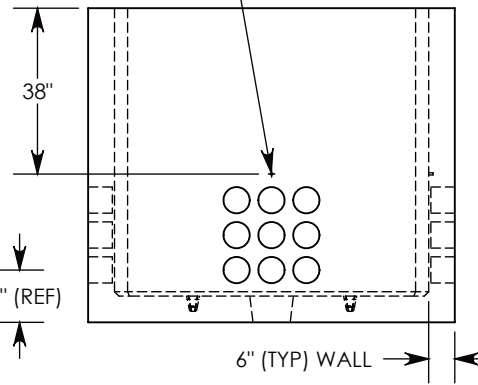
SPRING-ASSIST COVER
 SHOWN IN THIS VIEW



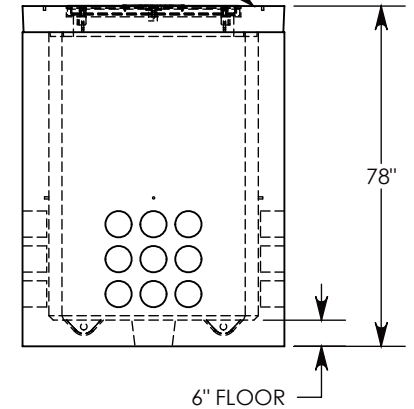
SIDE "A"



SIDE "B" (HLR)



SIDE "C"



SIDE "D"

H-20 RATED - 32,000 LB. PER AXLE LOAD.

DRAWN BY: ROBIN FLINT

DATE: 6/13/2016

REVISION LEVEL: 0

WEIGHT:

MATERIAL:

12610 LBS. W/COVER

NOTED



CONCAST
 1010 NORTH STAR DRIVE
 P.O. BOX 69
 ZUMBROTA, MN 55992-0069

DESCRIPTION:

PULL BOX W/SPRING-ASSIST RSG COVER

DIMENSIONS ARE IN INCHES
 TOLERANCES:
 FRACTIONAL: ± 1/8"
 ANGULAR: ± 2°

CONTACT INFORMATION:
 EMAIL: INFO@CONCASTINC.COM
 PHONE: (507) 732-4095
 FAX: (507) 732-4094

SHEET 1 OF 1

PART NUMBER:

PB96-60-84-72-SA