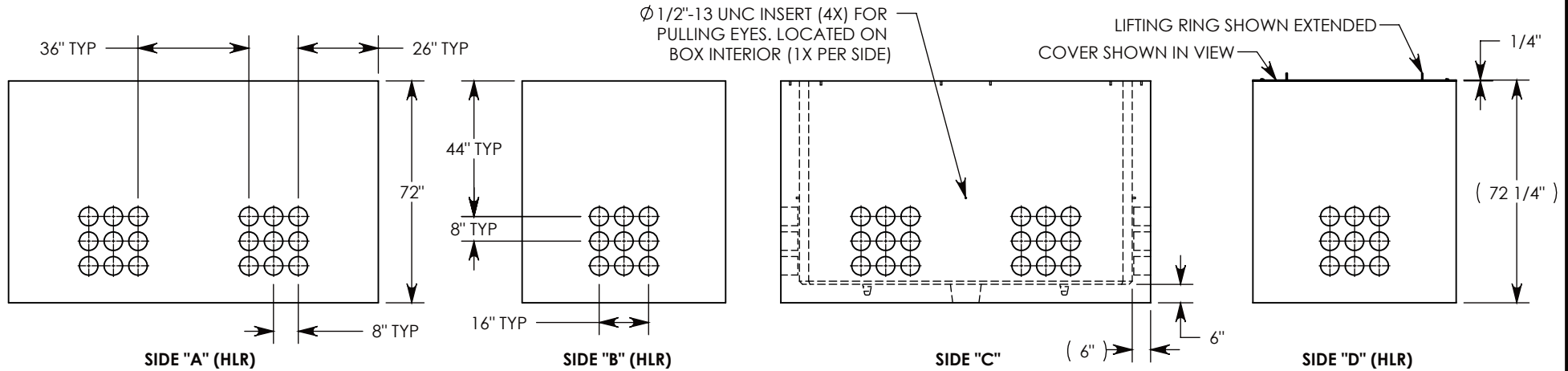
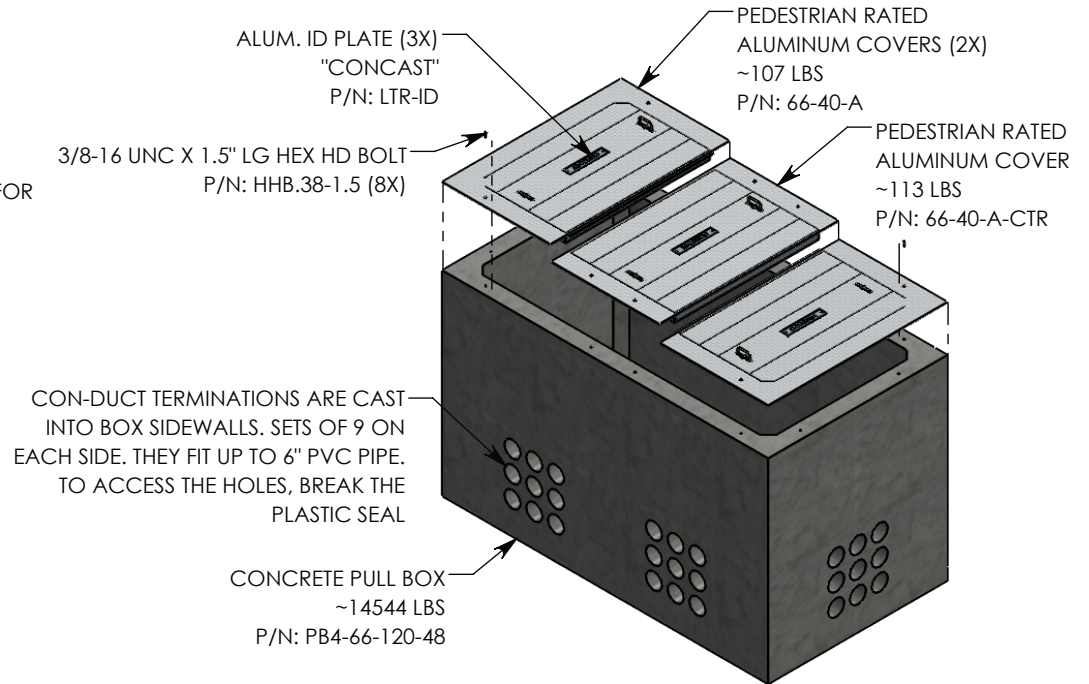
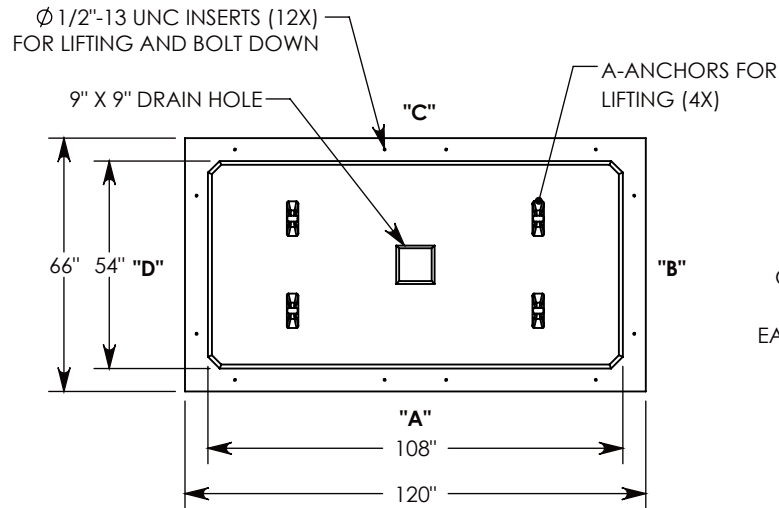


REV. A - SIC - 6/5/2019 - FIXED COVER PART NUMBERS AND WEIGHTS

REV. B - SIC - 3/24/2020 - UPDATED ANNOTATIONS; UPDATED 66-40-A WEIGHT TO 107 LBS, WAS 118 LBS; UPDATED 66-40-A-CTR WEIGHT TO 113 LBS, WAS 125 LBS



NOTE 1: FOR ADDED SECURITY, PENTA HEAD BOLTS (P/N: PTA.5-1.5) CAN BE ADDED

PEDESTRIAN RATED - 200 LB. PER SQ. FOOT

<b>DRAWN BY: SAMUEL CALLAHAN</b>	
<b>CREATED DATE: 5/20/2019</b>	<b>REVISION LEVEL: B</b>
<b>SAVED DATE: 3/24/2020</b>	<b>SAVED BY: scallahan</b>
<b>WEIGHT: 14872 LBS.</b>	<b>MATERIAL: NOTED</b>



1010 NORTH STAR DRIVE  
P.O. BOX 69  
ZUMBROTA, MN 55992-0069

<b>DESCRIPTION:</b> <b>PULL BOX W/ ALUMINUM COVERS</b>		
DIMENSIONS ARE IN INCHES TOLERANCES: FRACTIONAL: ± 1/8" ANGULAR: ± 2°	CONTACT INFORMATION: EMAIL: INFO@CONCASTINC.COM PHONE: (507) 732-4095 FAX: (507) 732-4094	SHEET 1 OF 1
<b>PART NUMBER:</b> <b>PB96-66-120-72-A</b>		