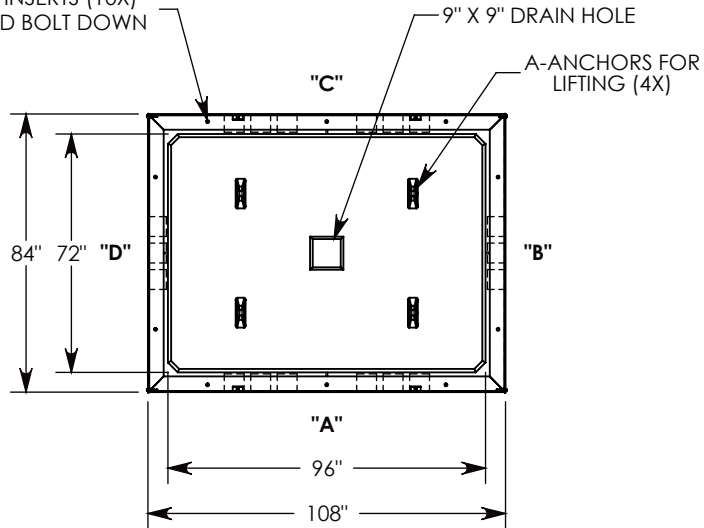


Ø 1/2"-13 UNC INSERTS (10X)  
FOR LIFTING AND BOLT DOWN



3/8-16 UNC X 1.5" LG HEX HD BOLT (4X)  
P/N: HHB.38-1.5

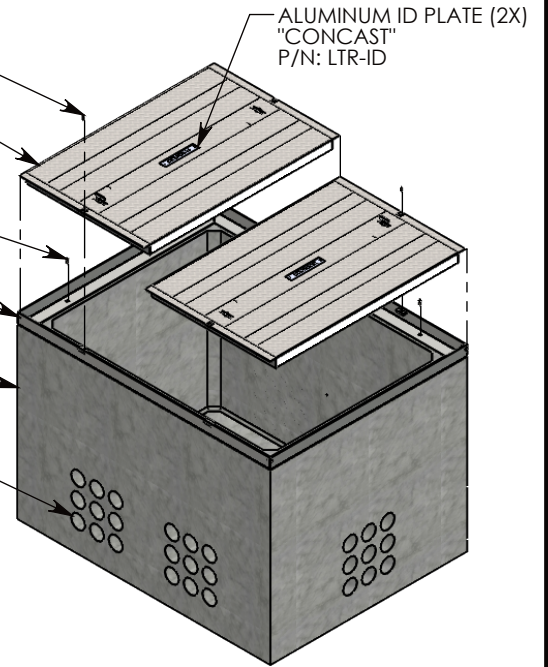
H-20 HEAVY TRAFFIC RATED  
GALVANIZED STEEL COVER (2X)  
~633 LBS  
P/N: 84-54-RSG

1/2-13 UNC X 1.5" LG HEX HD BOLT (10X)  
P/N: HHB.5-1.5

BOLT DOWN GALV. STEEL FRAME  
~153 LBS  
P/N: 84-108-FRM

CONCRETE PULL BOX  
~15500 LBS  
P/N: PB96-84-108-72

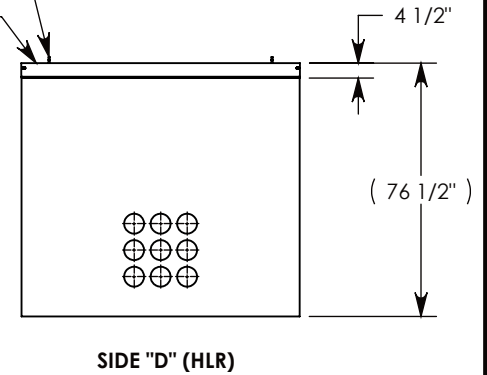
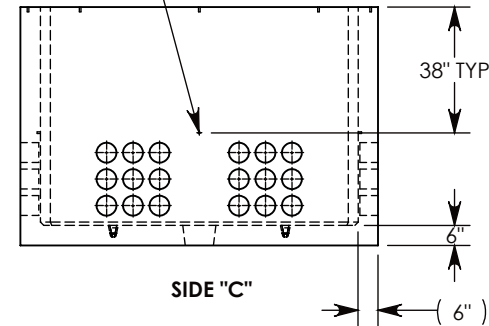
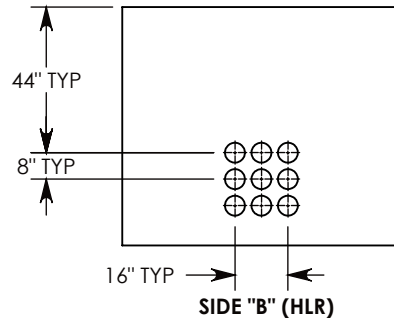
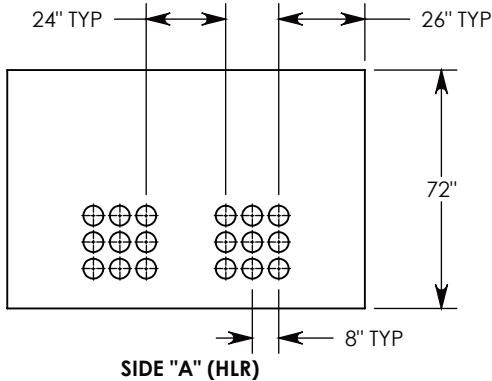
CON-DUCT TERMINATIONS ARE CAST INTO  
BOX SIDEWALLS. SETS OF 9 ON EACH SIDE.  
THEY FIT UP TO 6" PVC PIPE. TO ACCESS  
THE HOLES, BREAK THE PLASTIC SEAL



Ø 1/2"-13 UNC INSERT (4X) FOR  
PULLING EYES. LOCATED ON  
BOX INTERIOR (1X PER SIDE)

LIFTING LUG  
SHOWN EXTENDED

COVER SHOWN IN THIS VIEW



NOTE 1: FOR ADDED SECURITY, PENTA HEAD (P/N: PTA.38-1.5) OR SURELOCK BOLTS (P/N: SL.38-1.25) CAN BE ADDED

AASHTO H-20 RATED - 32,000 LB. SINGLE AXLE LOAD

DRAWN BY: **MALACHI MLINAR**

DATE: **6/12/2019**

REVISION LEVEL: **B**

WEIGHT:

**16999 LBS.**

MATERIAL:

**NOTED**



DESCRIPTION:

**PULL BOX W/ ALUMINUM COVER**

DIMENSIONS ARE IN INCHES

TOLERANCES:  
FRACTIONAL: ± 1/8"  
ANGULAR: ± 2°

CONTACT INFORMATION:

EMAIL: INFO@CONCASTINC.COM  
PHONE: (507) 732-4095  
FAX: (507) 732-4094

SHEET 1 OF 1

PART NUMBER:

**PB96-84-108-72-RSG**