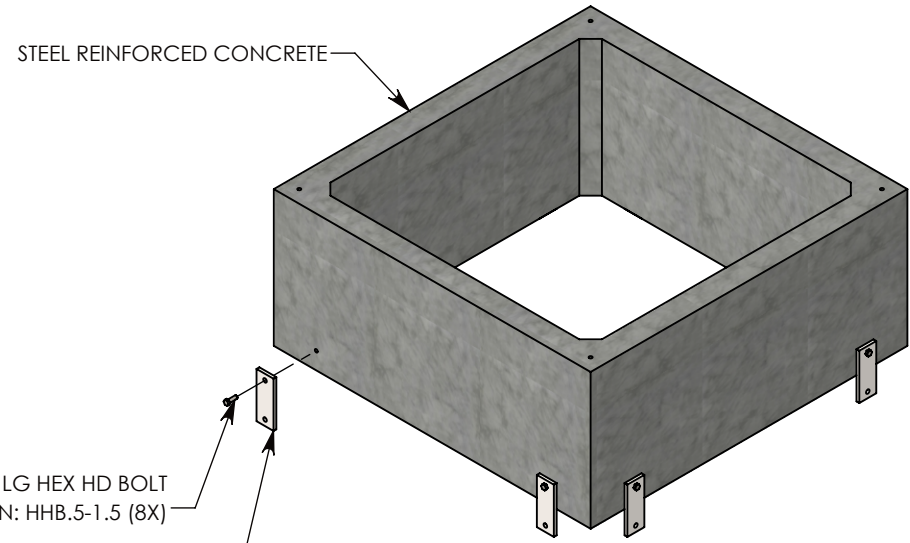


Ø 1/2"-13 UNC INSERT (4X)
FOR LIFTING AND BOLT DOWN



1/2-13 UNC X 1.5" LG HEX HD BOLT
P/N: HHB.5-1.5 (8X)

PULL BOX JOINT TIE STRAP
P/N: T-STRAP-1 (8X)



Ø 1/2"-13 UNC INSERT (8X)
FOR TIE STRAP

NOTE 1: XX CAN BE ANY HEIGHT, IN 1 INCH INCREMENTS, FROM 6" (MIN) TO 67" (MAX)
EX: A 24" EXTENSION WOULD BE NAMED PBEX-56-56-24

DRAWN BY: JESSE GUTTING		 1010 NORTH STAR DRIVE P.O. BOX 69 ZUMBROTA, MN 55992-0069	DESCRIPTION:		SHEET 1 OF 1
DATE: 4/9/2019			CONCRETE PULL BOX EXTENSION		
REVISION LEVEL: 0	WEIGHT:		DIMENSIONS ARE IN INCHES TOLERANCES: FRACTIONAL: ± 1/8" ANGULAR: ± 2°		
MATERIAL:	~ LBS.	CONTACT INFORMATION: EMAIL: INFO@CONCASTINC.COM PHONE: (507) 732-4095 FAX: (507) 732-4094			
CONCRETE		PART NUMBER:		PBEX-56-56-XX	