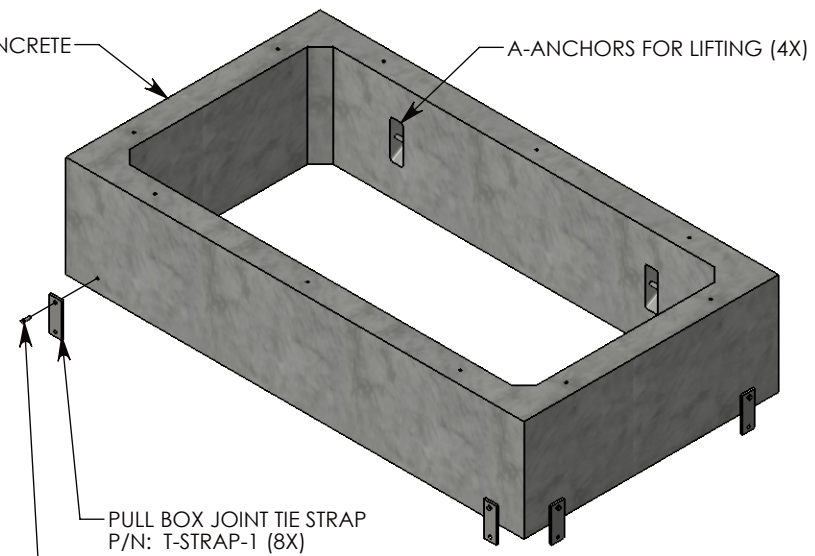


Ø 1/2"-13 UNC INSERT (10X)
FOR BOLT DOWN

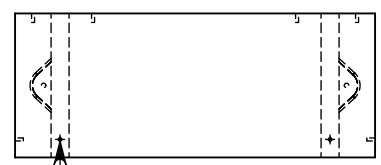
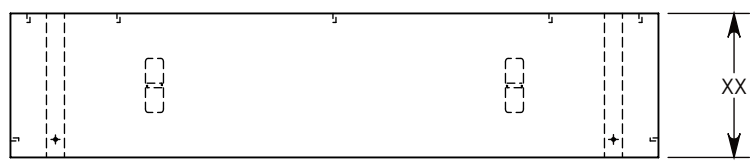
STEEL REINFORCED CONCRETE



A-ANCHORS FOR LIFTING (4X)

PULL BOX JOINT TIE STRAP
P/N: T-STRAP-1 (8X)

1/2-13 UNC X 1.5" LG HEX HD BOLT
P/N: HHB.5-1.5 (8X)



Ø 1/2"-13 UNC INSERT (8X)
FOR TIE STRAP

NOTE 1: XX CAN BE ANY HEIGHT, IN 1 INCH INCREMENTS, FROM 12" (MIN) TO 65" (MAX)
EX: A 24" EXTENSION WOULD BE NAMED PBEX-60-108-24

DRAWN BY: JESSE GUTTING	
CREATED DATE: 10/29/2020	REVISION LEVEL: 0
SAVED DATE: 10/29/2020	SAVED BY: jgutting
WEIGHT: ~ LBS.	MATERIAL: NOTED



1010 NORTH STAR DRIVE
P.O. BOX 69
ZUMBROTA, MN 55992-0069

DESCRIPTION: PULL BOX EXTENSION		SHEET 1 OF 1
DIMENSIONS ARE IN INCHES TOLERANCES: FRACTIONAL: ± 1/8" ANGULAR: ± 2°	CONTACT INFORMATION: EMAIL: INFO@CONCASTINC.COM PHONE: (507) 732-4095 FAX: (507) 732-4094	
PART NUMBER: PBEX-60-108-XX		