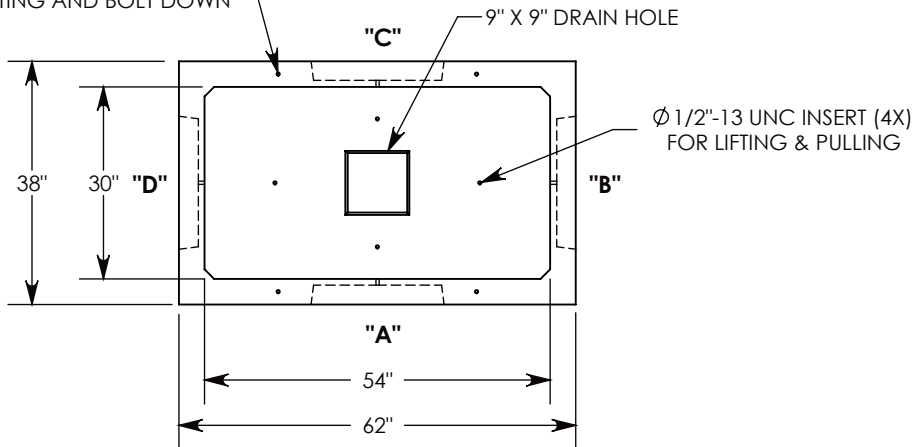


Ø 1/2"-13 UNC INSERTS (4X)  
FOR LIFTING AND BOLT DOWN

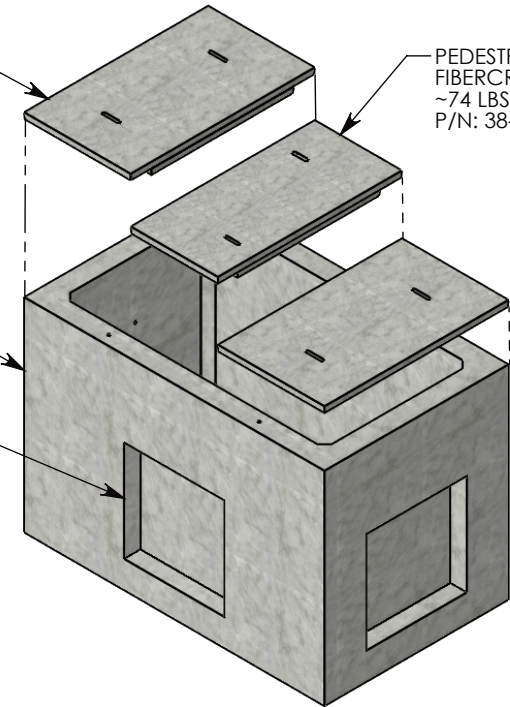


PEDESTRIAN RATED  
FIBERCRETE COVER (2X)  
~75 LBS EACH  
P/N: 38-22-FC

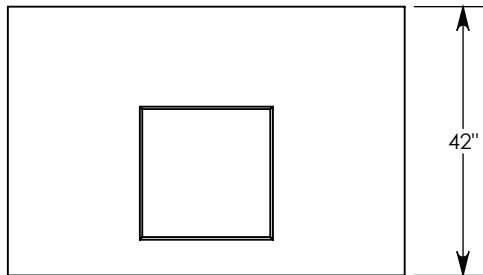
PEDESTRIAN RATED  
FIBERCRETE COVER  
~74 LBS  
P/N: 38-18-FC

CONCRETE PULL BOX  
~2637 LBS  
P/N: PBK01-38-62-42

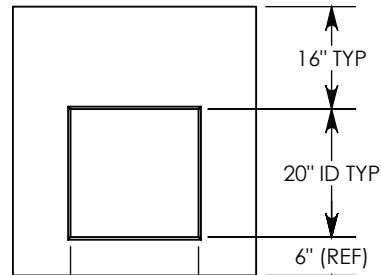
3" DEEP KNOCKOUTS  
CAST INTO ALL 4 SIDES



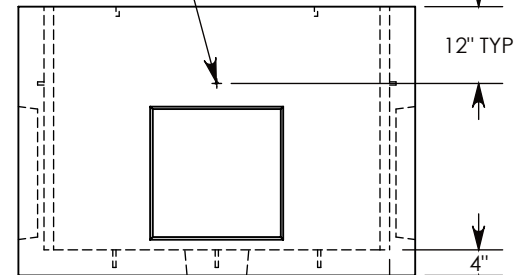
Ø 1/2"-13 UNC INSERT (4X) FOR  
PULLING EYES. LOCATED ON  
BOX INTERIOR (1X PER SIDE)



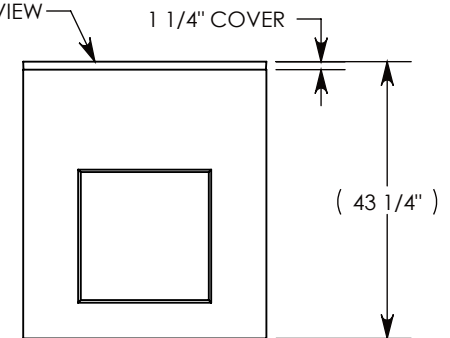
SIDE "A" (HLR)



SIDE "B" (HLR)



SIDE "C"



SIDE "D" (HLR)

PEDESTRIAN RATED - 200 LB. PER SQ. FOOT

**DRAWN BY: ROBIN FLINT**

**DATE: 5/25/2018**

**REVISION LEVEL: B**

**WEIGHT:**

**MATERIAL:**

**2862 LBS. W/COVER**

**NOTED**



**CONCAST**

1010 NORTH STAR DRIVE  
P.O. BOX 69  
ZUMBROTA, MN 55992-0069

**DESCRIPTION:**

**PULL BOX W/FIBERCRETE COVERS**

DIMENSIONS ARE IN INCHES  
TOLERANCES:  
FRACTIONAL: ± 1/8"  
ANGULAR: ± 2°

CONTACT INFORMATION:  
EMAIL: INFO@CONCASTINC.COM  
PHONE: (507) 732-4095  
FAX: (507) 732-4094

SHEET 1 OF 1

**PART NUMBER:**

**PBK01-38-62-42-FC**