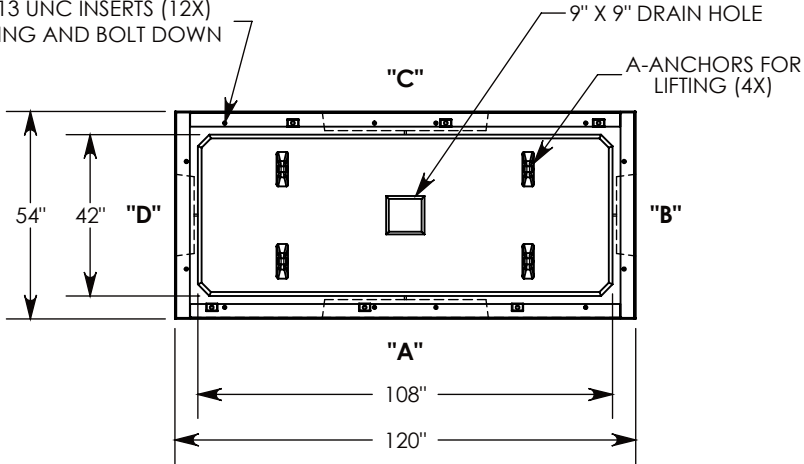


Ø 1/2"-13 UNC INSERTS (12X)  
FOR LIFTING AND BOLT DOWN



3/8-16 UNC X 1.5" LG HEX HD BOLT  
P/N: HHB.38-1.5 (6X)

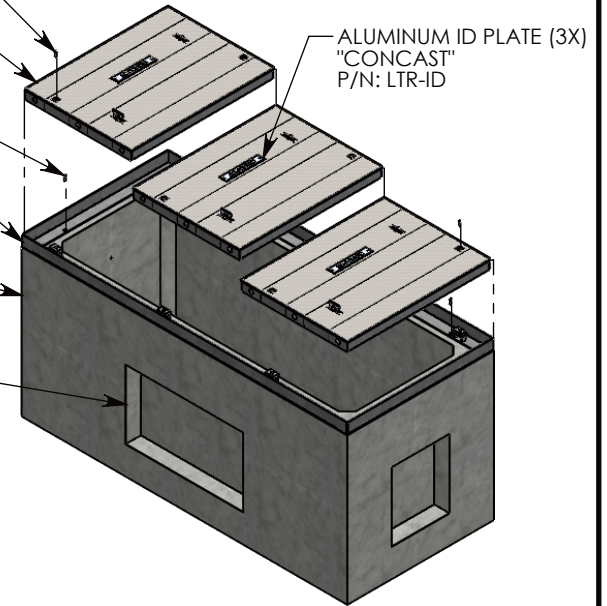
H-20 HEAVY TRAFFIC RATED  
GALVINIZED STEEL COVER (3X)  
~291 LBS  
P/N: 54-40-RSG

1/2-13 UNC X 1.5" LG HEX HD BOLT  
P/N: HHB.5-1.5 (12X)

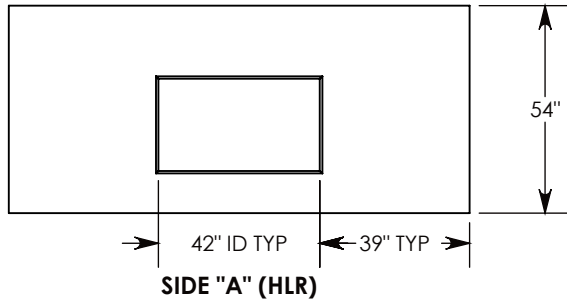
BOLT DOWN GALV. STEEL FRAME  
~187 LBS  
P/N: 54-120-FRM

CONCRETE PULL BOX  
~9575 LBS  
P/N: PBK01-54-120-54

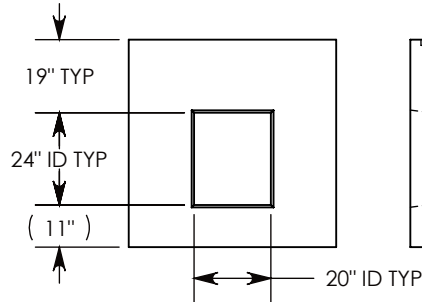
5" DEEP KNOCKOUTS  
CAST INTO ALL 4 SIDES



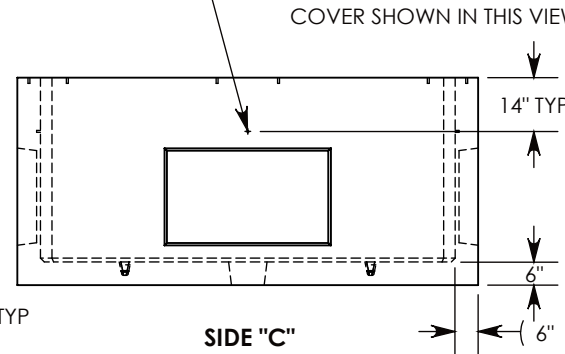
Ø 1/2"-13 UNC INSERT (4X) FOR  
PULLING EYES. LOCATED ON  
BOX INTERIOR (1X PER SIDE)



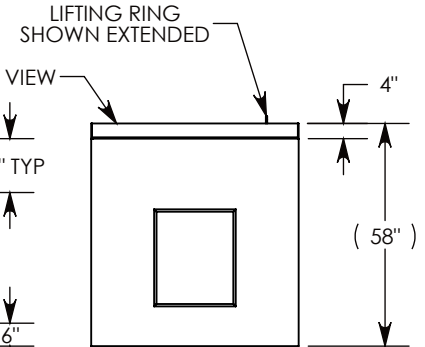
SIDE "A" (HLR)



SIDE "B" (HLR)



SIDE "C"



SIDE "D" (HLR)

**NOTE 1:** FOR ADDED SECURITY, PENTA HEAD (P/N: PTA.5-1.5) OF SURELOCK BOLTS (P/N: SL.38-1.25) CAN BE ADDED

AASHTO H-20 RATED – 32,000 LB. SINGLE AXLE LOAD

<b>DRAWN BY: MALACHI MLINAR</b>	
<b>DATE: 5/31/2019</b>	<b>REVISION LEVEL: B</b>
<b>WEIGHT: 10636 LBS. W/COVER</b>	<b>MATERIAL: NOTED</b>

1010 NORTH STAR DRIVE  
P.O. BOX 69  
ZUMBROTA, MN 55992-0069

<b>DESCRIPTION:</b> <b>PULL BOX W/GALV. STEEL COVERS</b>		
DIMENSIONS ARE IN INCHES TOLERANCES: FRACTIONAL: ± 1/8" ANGULAR: ± 2°	CONTACT INFORMATION: EMAIL: INFO@CONCASTINC.COM PHONE: (507) 732-4095 FAX: (507) 732-4094	SHEET 1 OF 1
<b>PART NUMBER:</b> <b>PBK01-54-120-54-RSG</b>		