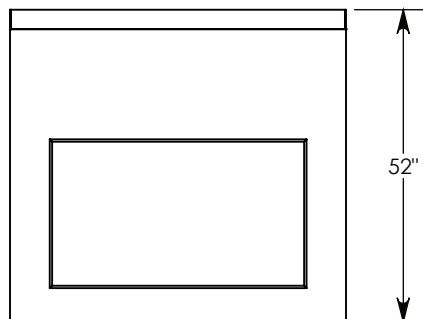
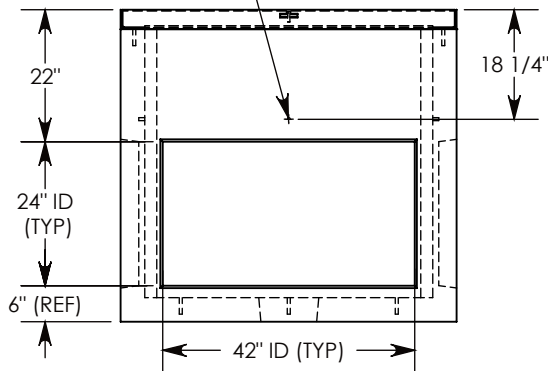


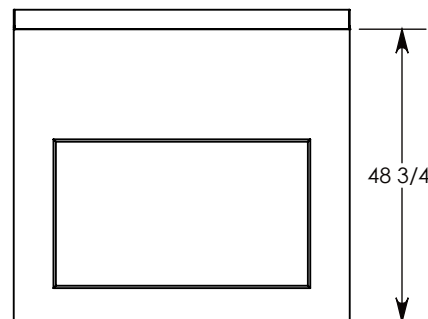
Ø 1/2\"-13 UNC INSERT (4X) FOR PULLING EYES. LOCATED ON BOX INTERIOR (1X PER SIDE)



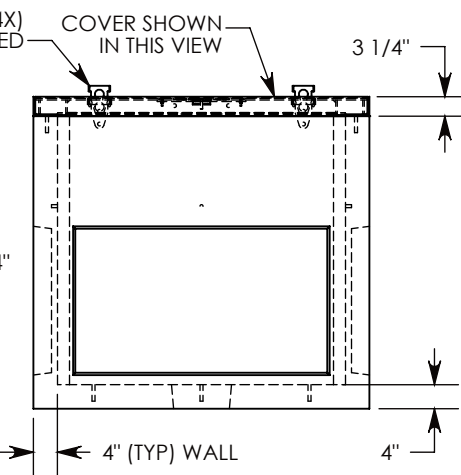
SIDE "A" (HLR)



SIDE "B"



SIDE "C" (HLR)



SIDE "D"

NOTE 1: FOR ADDED SECURITY, ORDER WITH SURELOCK BOLTS P/N: PBK01-56-56-52-RSGBDSL

H-20 RATED - 32,000 LB. PER AXLE LOAD.

DRAWN BY: ROBIN FLINT

DATE: 2/15/2016

REVISION LEVEL: A

WEIGHT:

3585 LBS. W/COVER

MATERIAL:

NOTED



1010 NORTH STAR DRIVE
P.O. BOX 69
ZUMBROTA, MN 55992-0069

DESCRIPTION:

PULL BOX W/ GALV. STEEL BD COVER

DIMENSIONS ARE IN INCHES
TOLERANCES:
FRACTIONAL: ± 1/8"
ANGULAR: ± 2°

CONTACT INFORMATION:
EMAIL: INFO@CONCASTINC.COM
PHONE: (507) 732-4095
FAX: (507) 732-4094

SHEET 1 OF 1

PART NUMBER:

PBK01-56-56-52-RSGBD