

3/8"-16 UNC X 2-1/2" LG SURELOCK SS BOLT
P/N: SL.38-2.5

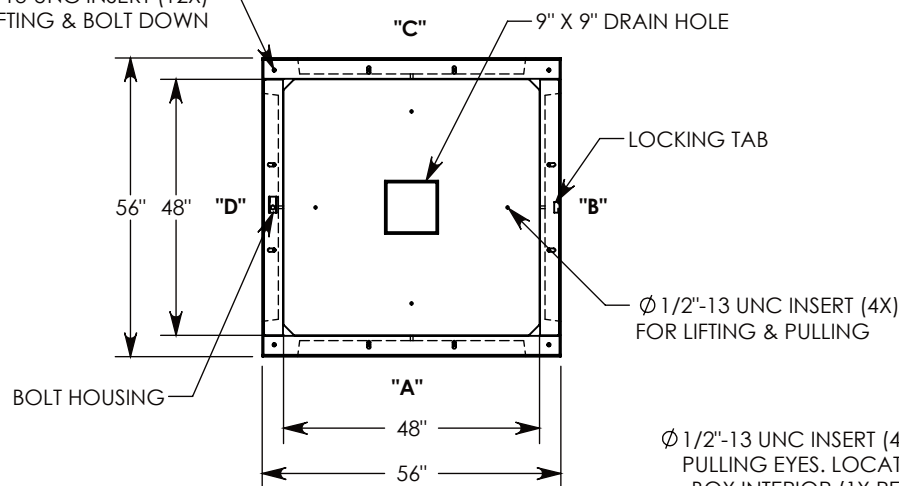
ACCESS COVER PLATE
P/N: AC-VC2

H-20 HEAVY TRAFFIC RATED GALVANIZED STEEL COVER
~418 LBS
P/N: 56-56-RSGSLP

PADLOCK SUPPLIED BY OTHERS

ALUM ID PLATE "CONCAST"
P/N: LTR-ID

Ø 1/2"-13 UNC INSERT (12X) FOR LIFTING & BOLT DOWN

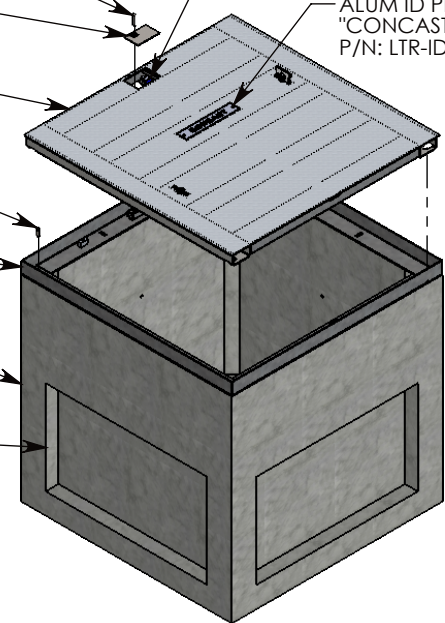


1/2-13 UNC X 1.5" LG HEX HD BOLT (4X)
P/N: HHB.5-1.5

BOLT-DOWN GALV. STEEL FRAME
~104 LBS
P/N: 56-56-FRM

CONCRETE PULL BOX
~3282 LBS
P/N: PBK01-56-56-52

3" DEEP KNOCKOUTS CAST INTO ALL 4 SIDES

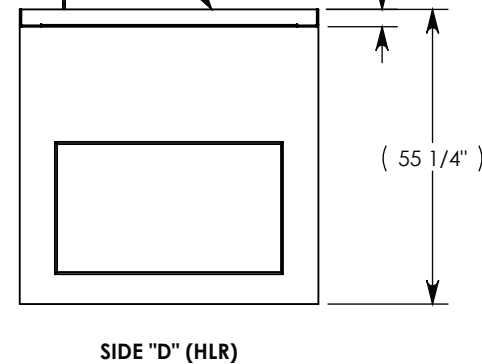
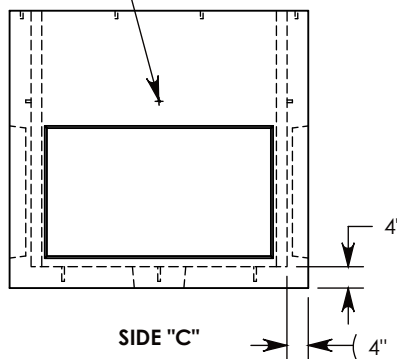
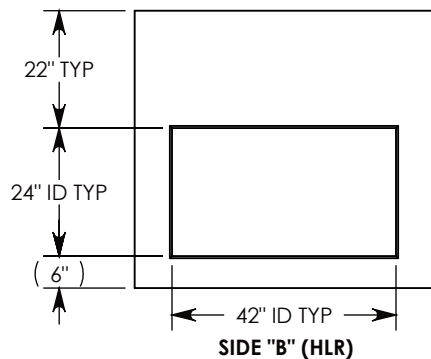
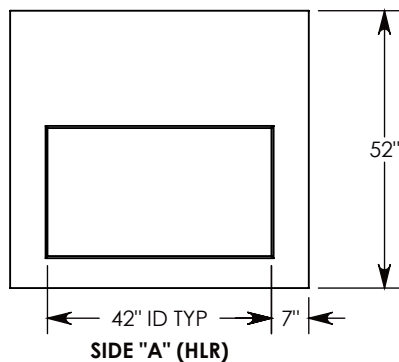


Ø 1/2"-13 UNC INSERT (4X) FOR PULLING EYES. LOCATED ON BOX INTERIOR (1X PER SIDE)

COVER SHOWN IN THIS VIEW

LIFTING LUG SHOWN EXTENDED

3 1/4"



AASHTO H-20 RATED - 32,000 LB. SINGLE AXLE LOAD

DRAWN BY: MALACHI MLINAR

CREATED DATE: 9/20/2018

REVISION LEVEL: B

SAVED DATE: 10/11/2019

SAVED BY: scallahan

WEIGHT:
3805 LBS.

MATERIAL:
NOTED



DESCRIPTION:

PULL BOX W/ GALV. STEEL COVER

DIMENSIONS ARE IN INCHES
TOLERANCES:
FRACTIONAL: ± 1/8"
ANGULAR: ± 2°

CONTACT INFORMATION:
EMAIL: INFO@CONCASTINC.COM
PHONE: (507) 732-4095
FAX: (507) 732-4094

SHEET 1 OF 1

PART NUMBER:

PBK01-56-56-52-RSGSLP