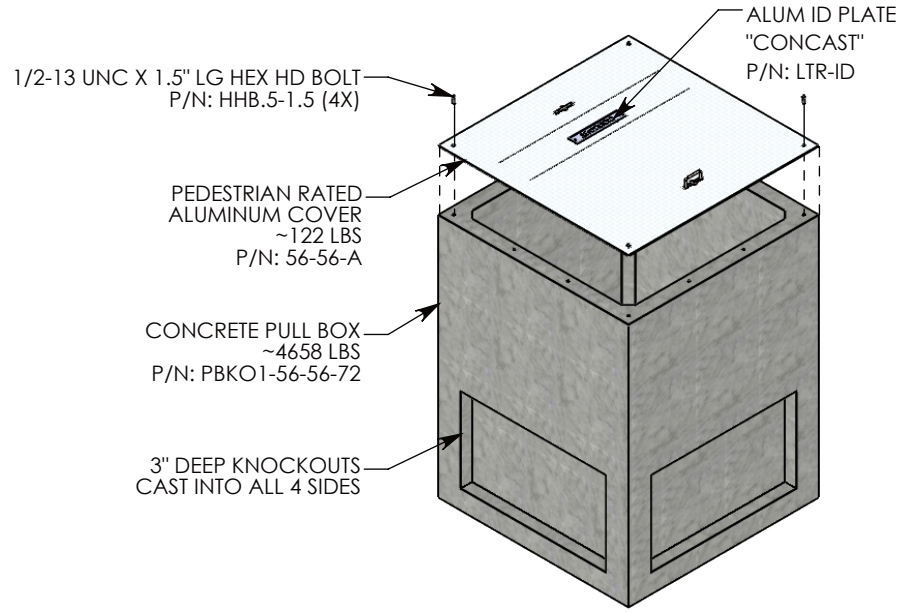
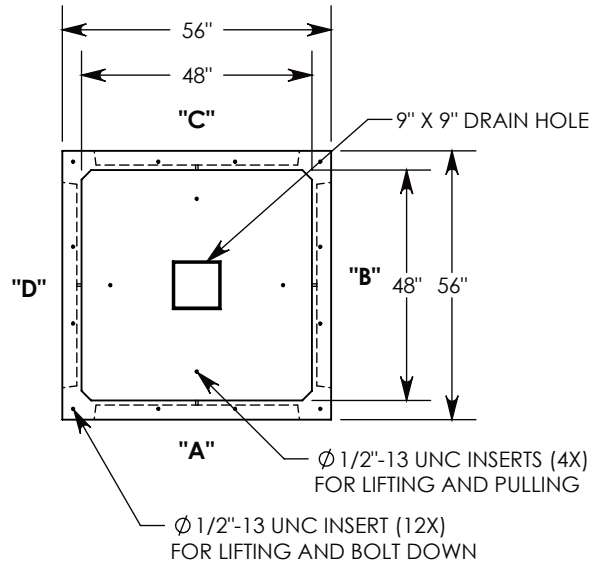
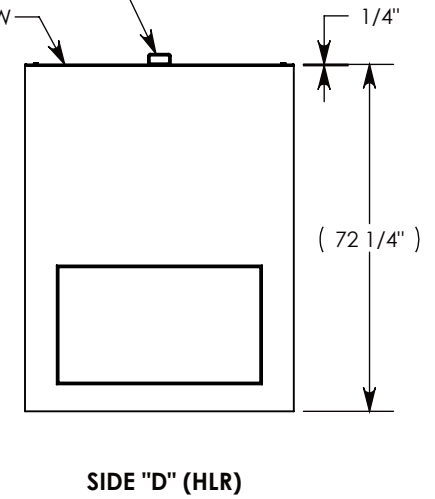
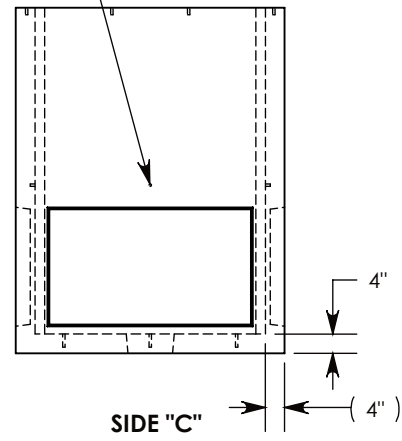
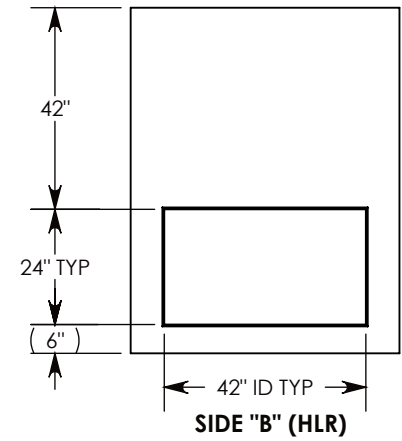
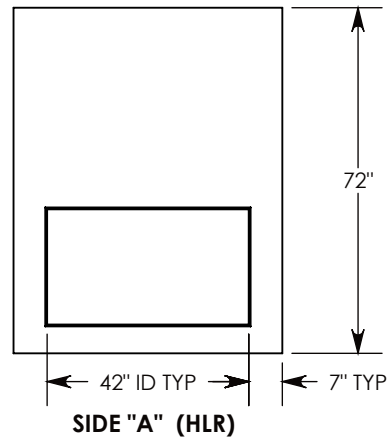


REV. B - MKM - 6/5/2018 - UPDATED MODEL & DRAWING
 REV. C - SIC - 10/11/2019 - UPDATED NOTES AND DIMENSIONS; 1/2"-13 UNC BOLT DOWN INSERTS, QTY: 12 WAS QTY: 4
 REV. D - SIC - 2/19/2020 - UPDATED ALUMINUM COVER WEIGHT, WAS 127 LBS



Ø 1/2"-13 UNC INSERT (4X) FOR PULLING EYES. LOCATED ON BOX INTERIOR (1X PER SIDE)

LIFTING RING SHOWN EXTENDED COVER SHOWN IN THIS VIEW



NOTE 1: FOR ADDED SECURITY, PENTA HEAD BOLTS (P/N: PTA.5-1.5) CAN BE ADDED

PEDESTRIAN RATED - 200 LB. PER SQ. FOOT

DRAWN BY: TOM JANSEN	
CREATED DATE: 3/26/2010	REVISION LEVEL: D
SAVED DATE: 2/19/2020	SAVED BY: scallahan
WEIGHT: 4781 LBS.	MATERIAL: NOTED

1010 NORTH STAR DRIVE
 P.O. BOX 69
 ZUMBROTA, MN 55992-0069

DESCRIPTION: PULL BOX W/ ALUMINUM COVER		SHEET 1 OF 1
DIMENSIONS ARE IN INCHES TOLERANCES: FRACTIONAL: ± 1/8" ANGULAR: ± 2°	CONTACT INFORMATION: EMAIL: INFO@CONCASTINC.COM PHONE: (507) 732-4095 FAX: (507) 732-4094	
PART NUMBER: PBK01-56-56-72-A		