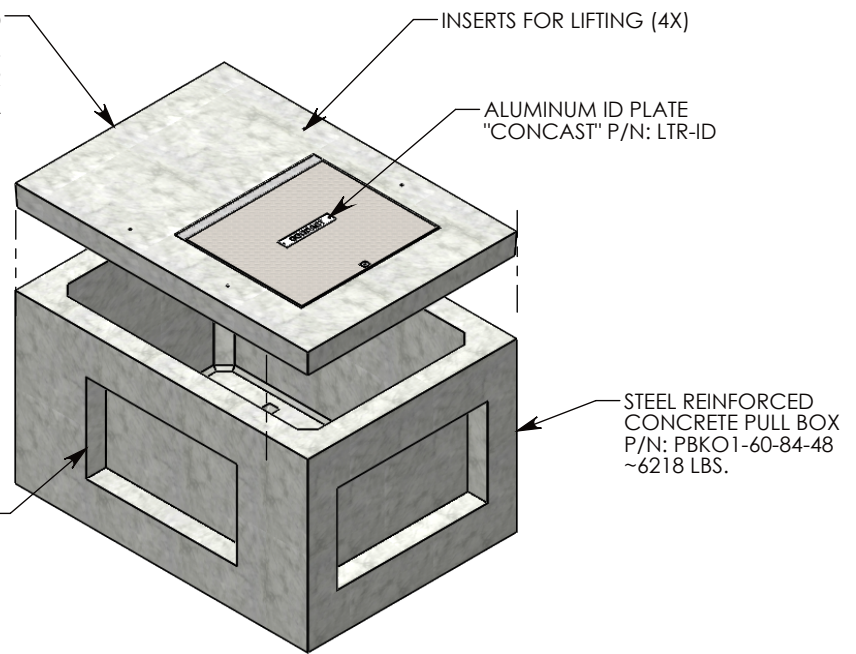
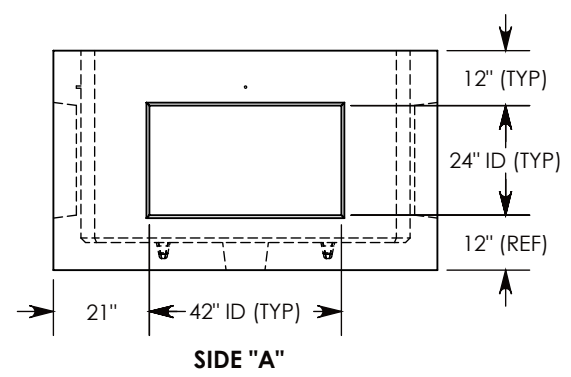


H-20 HEAVY TRAFFIC RATED
 SPRING ASSISTED GALV. STL.
 CAST-IN CONCRETE COVER
 ~1,979 LBS. P/N:60-84-SA

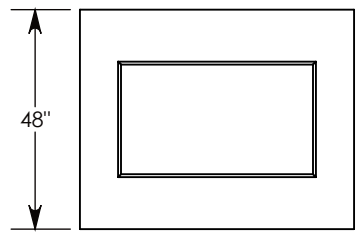


STEEL REINFORCED
 CONCRETE PULL BOX
 P/N: PBKO1-60-84-48
 ~6218 LBS.

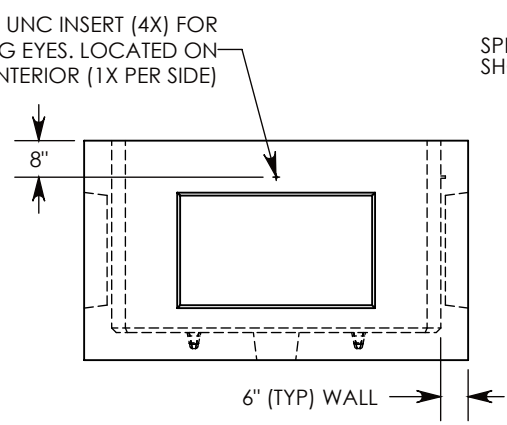
5" DEEP KNOCKOUTS
 CAST INTO ALL 4 SIDES



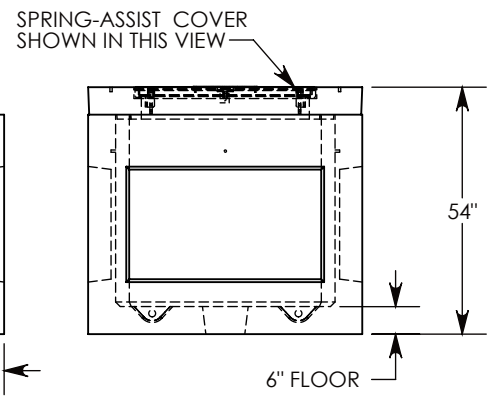
SIDE "A"



SIDE "B" (HLR)



SIDE "C"



SIDE "D"

Ø-13 UNC INSERT (4X) FOR
 PULLING EYES. LOCATED ON
 BOX INTERIOR (1X PER SIDE)

SPRING-ASSIST COVER
 SHOWN IN THIS VIEW

H-20 RATED - 32,000 LB. PER AXLE LOAD.

DRAWN BY: ROBIN FLINT	
DATE: 6/12/2016	REVISION LEVEL: 0
WEIGHT:	MATERIAL:
8197 LBS. W/COVER	NOTED



CONCAST
 1010 NORTH STAR DRIVE
 P.O. BOX 69
 ZUMBROTA, MN 55992-0069

DESCRIPTION:		
PULL BOX W/SPRING-ASSIST RSG COVER		
DIMENSIONS ARE IN INCHES	CONTACT INFORMATION:	
TOLERANCES:	EMAIL: INFO@CONCASTINC.COM	SHEET 1 OF 1
FRACTIONAL: ± 1/8"	PHONE: (507) 732-4095	
ANGULAR: ± 2°	FAX: (507) 732-4094	
PART NUMBER:		
PBKO1-60-84-48-SA		