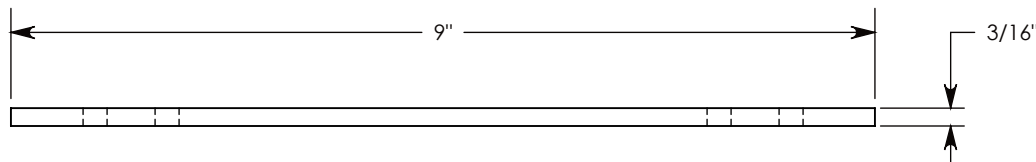
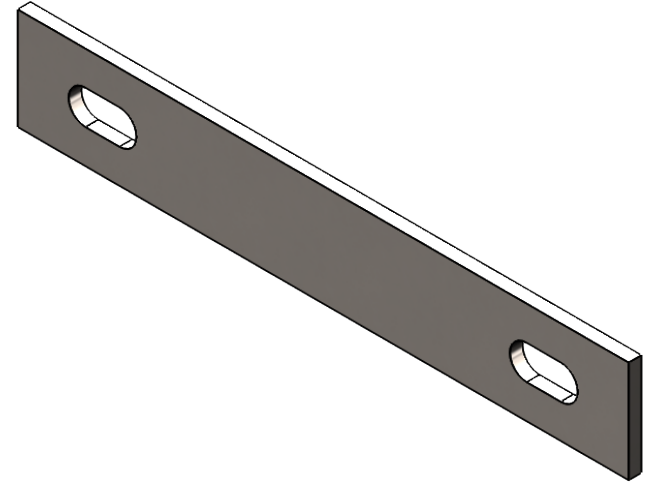
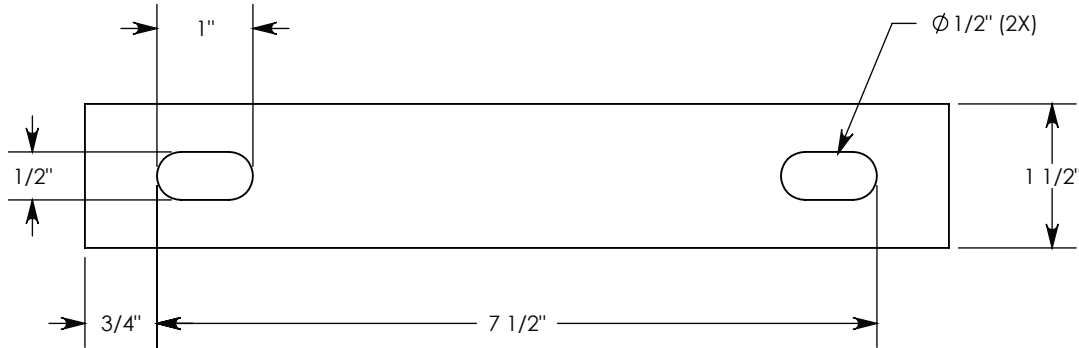


REV A. - 6/27/16 - RLF - 3/4" DIM FOR SLOT LOCATION WAS 1"
 REV B - 1/11/17 - RLF - ADDED BOM - RENAMED INDIVIDUAL TIE STRAP TO INCLUDE .B
 REV C - 1/27/17 - RLF - RENAMED BOLT TO BE STAINLESS STEEL IN BOM

ITEM NO.	PART NUMBER	DESCRIPTION	QTY.
1	T-STRAP.B	TRENCH JOINT TIE STRAP	1
2	HHB.38-1-SS	HEX HEAD BOLT 3/8-16 UNC X 1"	2



ATTACH TO THREADED INSERT IN CHANNEL WITH Ø3/8 X 1" LONG STD BOLT (NOT SHOWN)

DRAWN BY: ROBIN FLINT		 1010 NORTH STAR DRIVE P.O. BOX 69 ZUMBROTA, MN 55992-0069	DESCRIPTION:	
DATE: 1/26/2017	REVISION LEVEL: C		TRENCH JOINT TIE STRAP	
WEIGHT:	MATERIAL:		DIMENSIONS ARE IN INCHES TOLERANCES: FRACTIONAL: ± 1/8" ANGULAR: ± 2°	CONTACT INFORMATION: EMAIL: INFO@CONCASTINC.COM PHONE: (507) 732-4095 FAX: (507) 732-4094
0.7 LBS.	STAINLESS STEEL	PART NUMBER:		
		T-STRAP		