

CONCAST

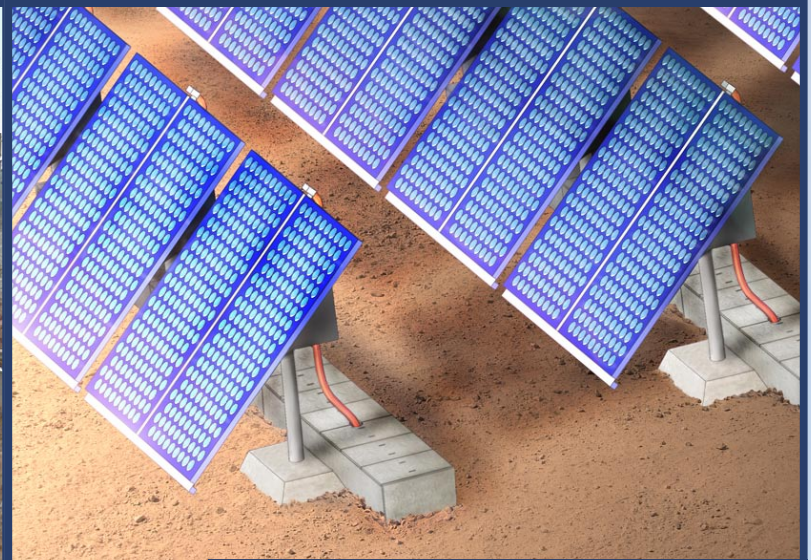
Fibercrete®

PRECISELY ENGINEERED HIGH STRENGTH CONCRETE



PRECAST SOLAR APPLICATION BROCHURE

PRECAST PRODUCTS FOR SOLAR FIELDS AND COLLECTOR SUBSTATIONS

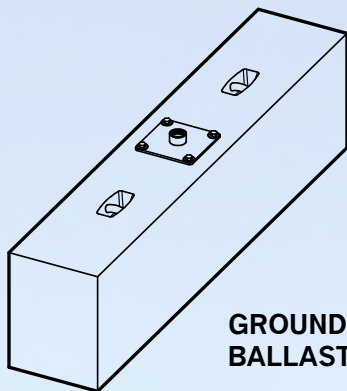


Ballast Blocks and Trench

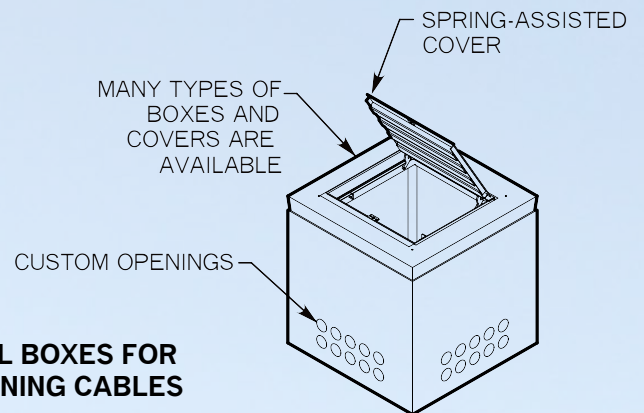
Handholes



**HANDHOLES ARE AVAILABLE
IN PEDESTRIAN AND H-20
TRAFFIC RATINGS**



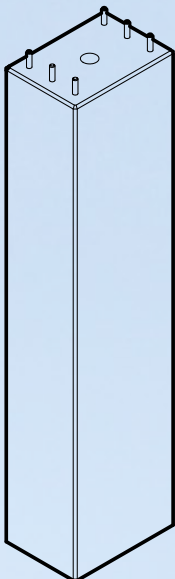
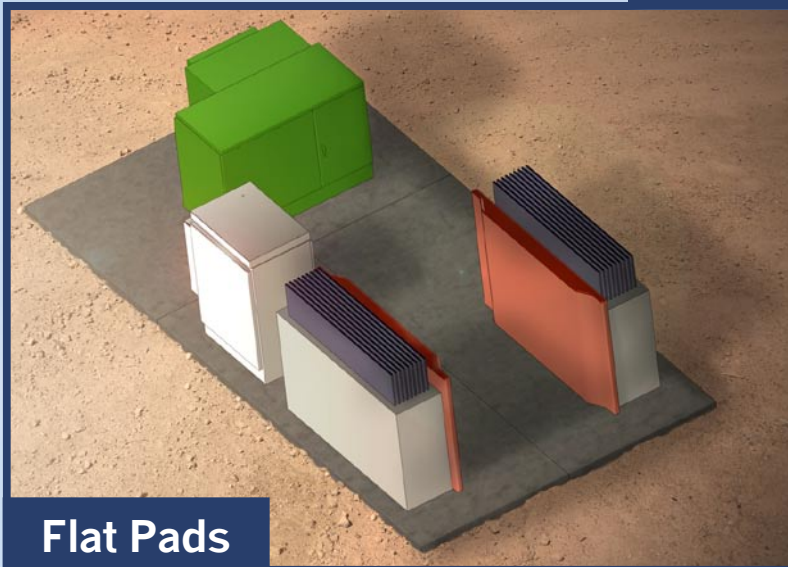
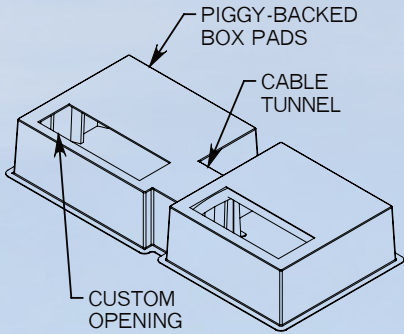
**GROUND-MOUNT
BALLAST BLOCK**



**PULL BOXES FOR
TRAINING CABLES**

CONCAST PADS OFFER SUPPORT FOR INVERTERS, TRANSFORMERS, & SOLAR HOT WATER PROJECTS.

BOX PADS PROVIDE ADDITIONAL CABLE TRAINING SPACE BELOW ELECTRICAL EQUIPMENT.



FOOTINGS (OR PIERS) CAN PROVIDE SUPPORT FOR COLUMNS AND OTHER SOLAR STRUCTURES.



Rooftop Ballasts

Concast has specialized in precast concrete products for the electrical energy industry since 1969. Besides serving the solar industry, our products are fundamental to the windfarm, utility, and general construction industries.

Trench systems, pull boxes, footings, ballasts, and handholes are utilized for solar panel support, below-ground substation control, communications, and power cables. Box pads, flat pads, MGS units, and vaults are an ideal underground solution for routing cables to electrical equipment such as transformers, switchgear, inverters, and sectionalizers.

Concast is continually working to find new precast solutions that will supply our customers with the best line of concrete products in a timely manner, while still upholding our high quality standards. Concast stands behind their products with an unmatched 35 year warranty.

We are confident that we have the right products to meet your application requirements.



P.O. Box 69
1010 North Star Drive
Zumbrota, MN 55992-0069

