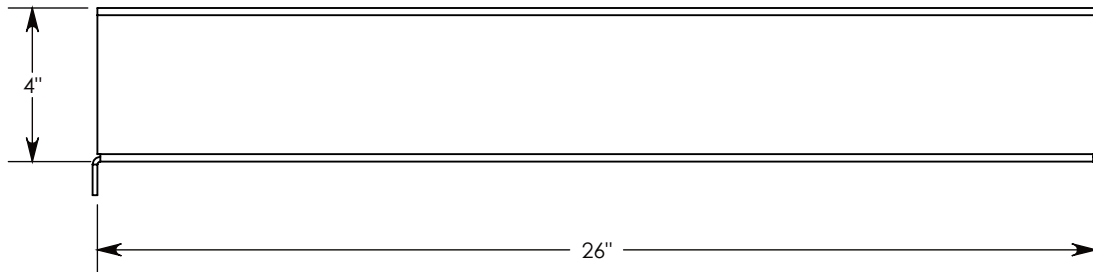
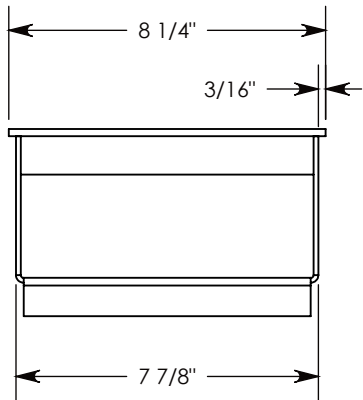
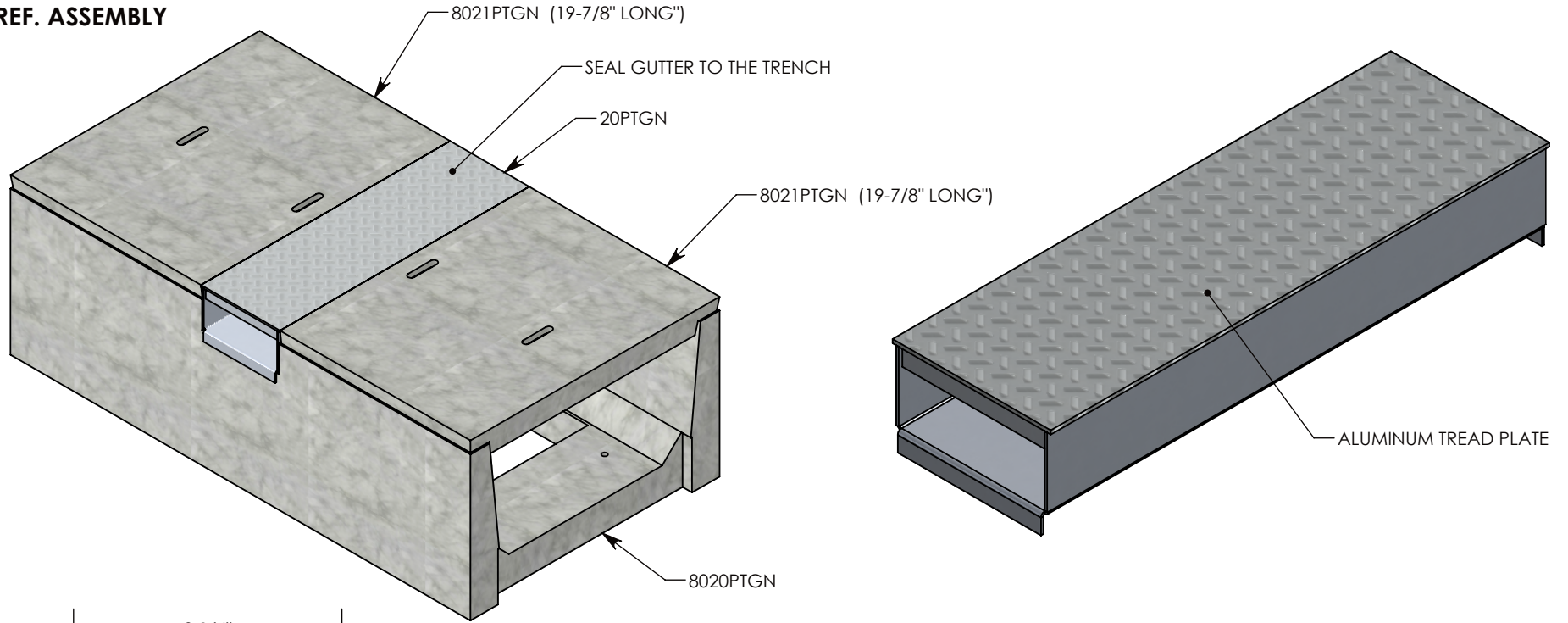


**REF. ASSEMBLY**



**NOTE 1:** FITS AN 8020PTGN , 802016PTGN, OR AN 802024PTGN CHANNEL.

**NOTE 2:** SEAL THE GAP BETWEEN NOTCH & CHANNEL IN THE FIELD.

PEDESTRIAN RATED - 200 LB. PER SQ. FOOT

**DRAWN BY: ROBIN FLINT**

**DATE: 3/11/2015**

**REVISION LEVEL: A**

**WEIGHT:**

**10 LBS.**

**MATERIAL:**

**WELDED ALUMINUM**



**DESCRIPTION:**

**GUTTER NOTCH**

DIMENSIONS ARE IN INCHES  
TOLERANCES:  
FRACTIONAL: ± 1/8"  
ANGULAR: ± 2°

CONTACT INFORMATION:  
EMAIL: INFO@CONCASTINC.COM  
PHONE: (507) 732-4095  
FAX: (507) 732-4094

SHEET 1 OF 1

**PART NUMBER:**

**20PTGN**