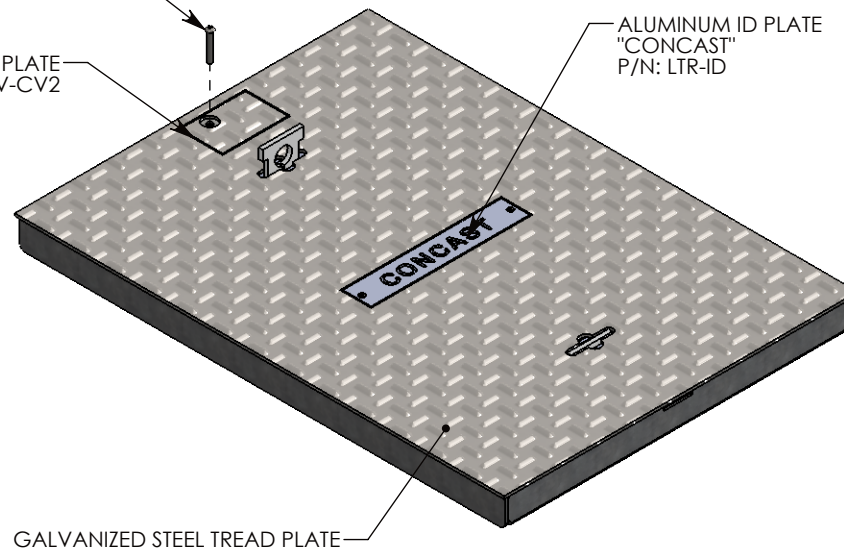


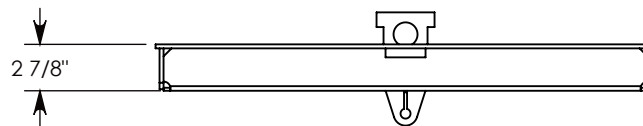
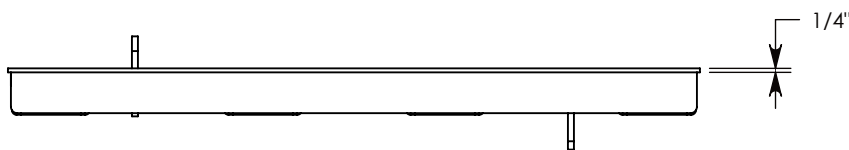
3/8"-16 UNC X 2-1/2" LG SURELOCK SS BOLT
P/N: SL.38-2.5

ACCESS COVER PLATE
P/N: AV-CV2

ALUMINUM ID PLATE
"CONCAST"
P/N: LTR-ID



GALVANIZED STEEL TREAD PLATE



NOTE 1: TREAD ON DIAMOND PLATE ADDS 1/8" TO OVERALL HEIGHT

AASHTO H-20 RATED – 32,000 LB. SINGLE AXLE LOAD

DRAWN BY: JESSE GUTTING	
CREATED DATE: 5/15/2020	REVISION LEVEL: 0
SAVED DATE: 5/15/2020	SAVED BY: jgutting
WEIGHT: 181 LBS.	MATERIAL: GALVANIZED STEEL

CONCAST
1010 NORTH STAR DRIVE
P.O. BOX 69
ZUMBROTA, MN 55992-0069

DESCRIPTION: GALVANIZED STEEL PULL BOX COVER		SHEET 1 OF 1
DIMENSIONS ARE IN INCHES TOLERANCES: FRACTIONAL: ± 1/8" ANGULAR: ± 2°	CONTACT INFORMATION: EMAIL: INFO@CONCASTINC.COM PHONE: (507) 732-4095 FAX: (507) 732-4094	
PART NUMBER: 32-44-RSGSLP		