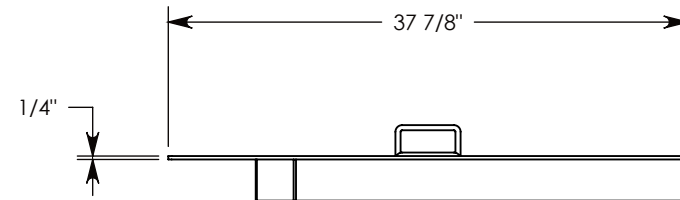
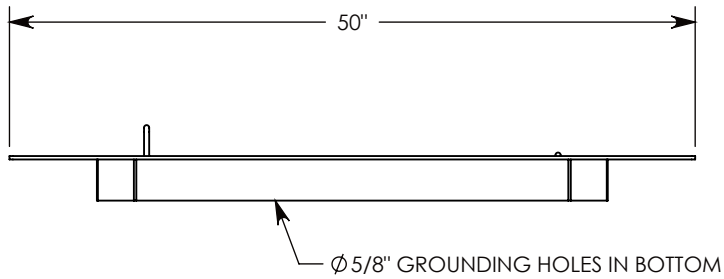
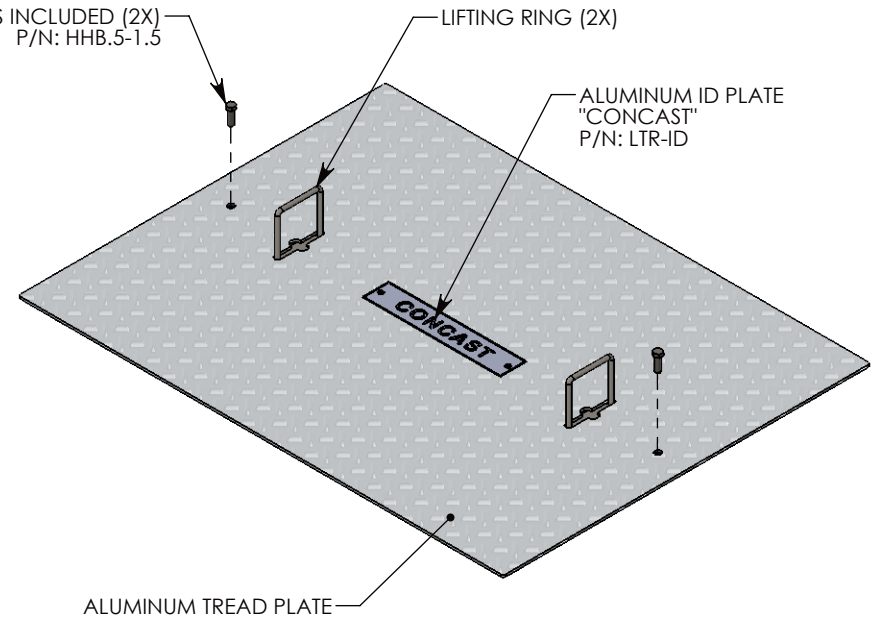
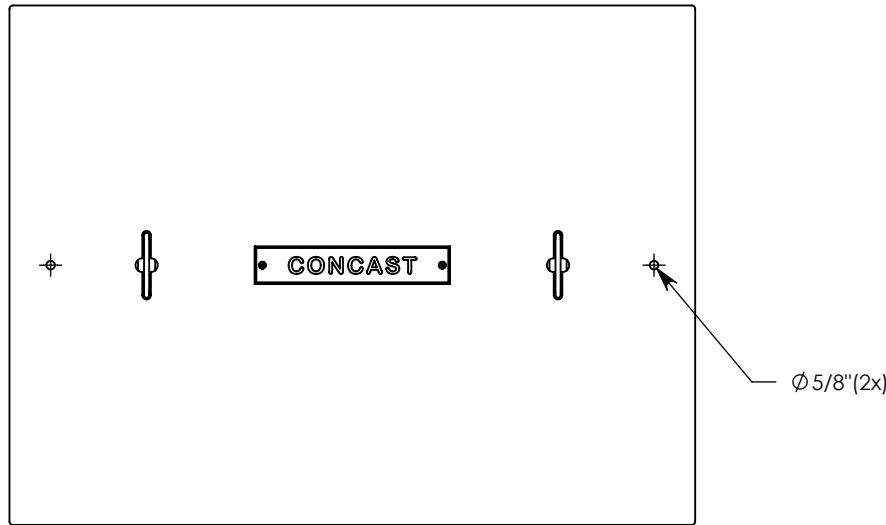


COVER ASSEMBLES ONTO
A 50" X 114" CONCAST PULL BOX



NOTE 1: FOR ADDED SECURITY, PENTA HEAD BOLTS (P/N: PTA.5-1.5) CAN BE ADDED

PEDESTRIAN RATED - 200 LB. PER SQ. FOOT

DRAWN BY: JESSE GUTTING	
CREATED DATE: 9/4/2018	REVISION LEVEL: 0
SAVED DATE: 11/22/2019	SAVED BY: JGUTTING
WEIGHT: 77 LBS.	MATERIAL: WELDED ALUMINUM



1010 NORTH STAR DRIVE
P.O. BOX 69
ZUMBROTA, MN 55992-0069

DESCRIPTION: ALUMINUM PED. RATED PULL BOX COVER	
DIMENSIONS ARE IN INCHES TOLERANCES: FRACTIONAL: ± 1/8" ANGULAR: ± 2°	CONTACT INFORMATION: EMAIL: INFO@CONCASTINC.COM PHONE: (507) 732-4095 FAX: (507) 732-4094
PART NUMBER: 50-38-A	

SHEET 1 OF 2