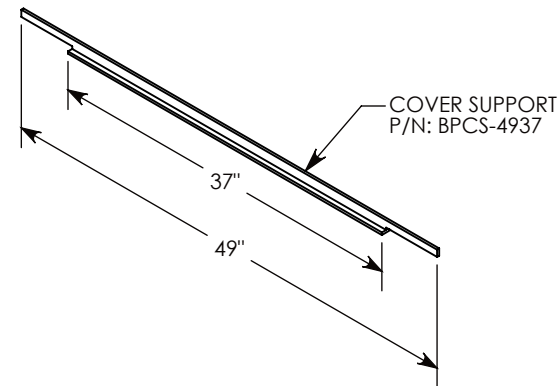
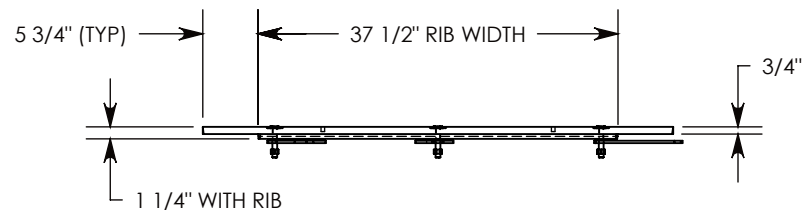
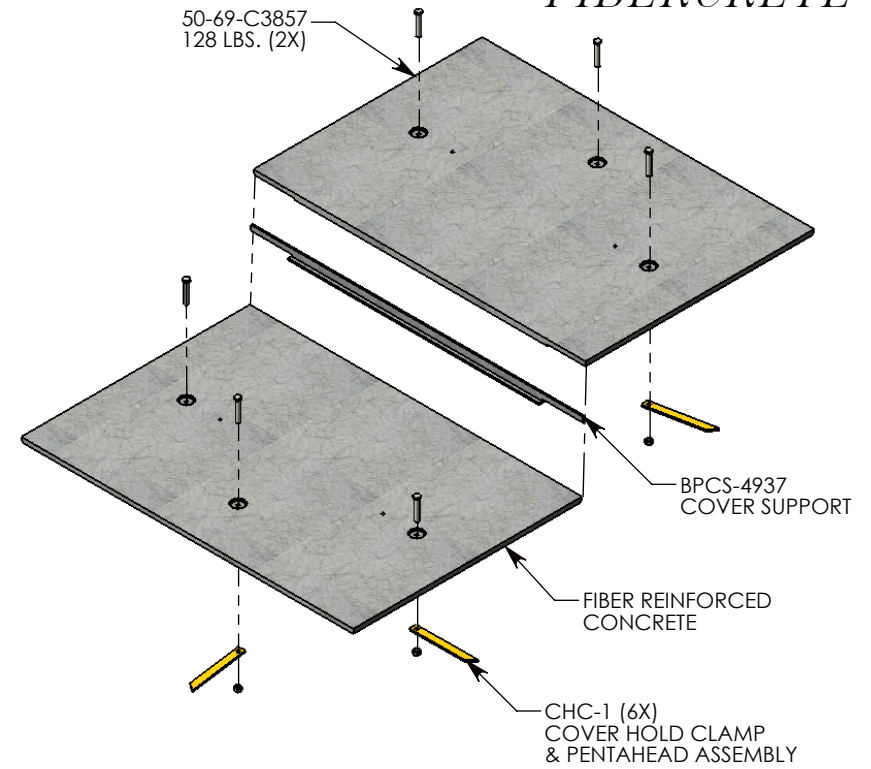
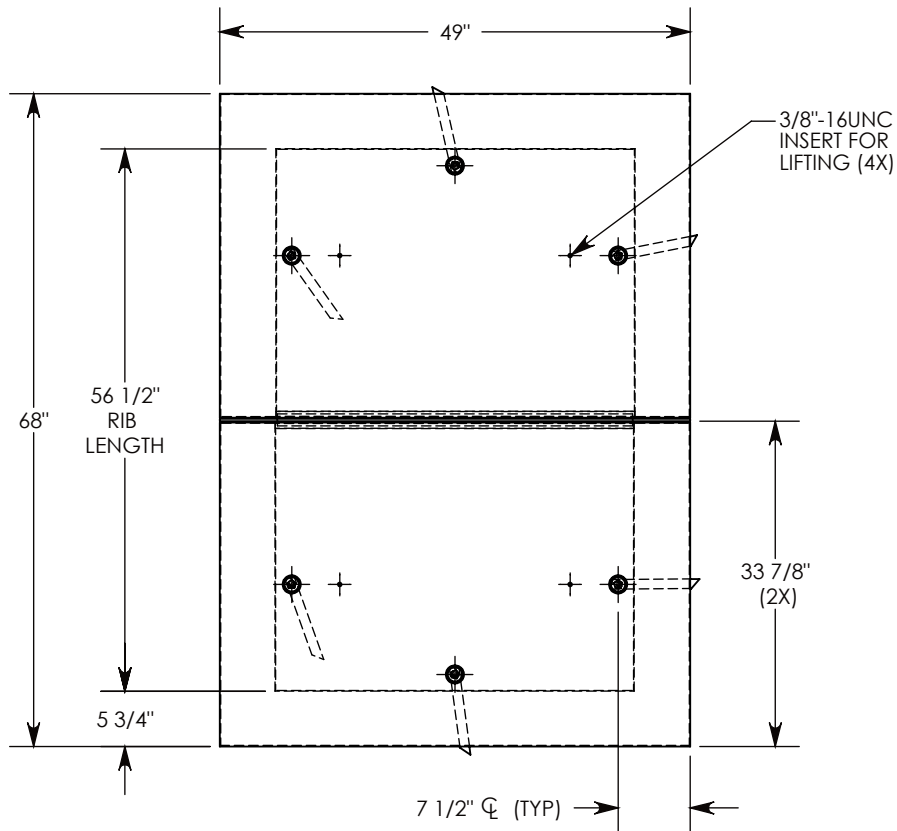


FIBERCRETE®



DRAWN BY: ROBIN FLINT

DATE: 6/7/2012

REVISION LEVEL: 0

WEIGHT:

267 LBS. TOTAL

MATERIAL:

FIBERCRETE



DESCRIPTION:

FIBERCRETE BOX PAD COVERS

DIMENSIONS ARE IN INCHES
TOLERANCES:
FRACTIONAL: ± 1/8"
ANGULAR: ± 2°

CONTACT INFORMATION:
EMAIL: INFO@CONCASTINC.COM
PHONE: (507) 732-4095
FAX: (507) 732-4094

SHEET 1 OF 1

PART NUMBER:

50-69-C3857