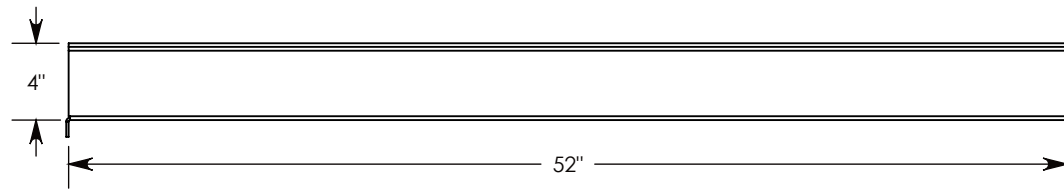
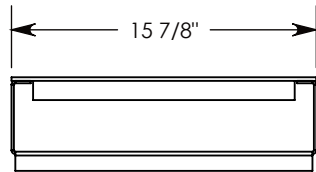
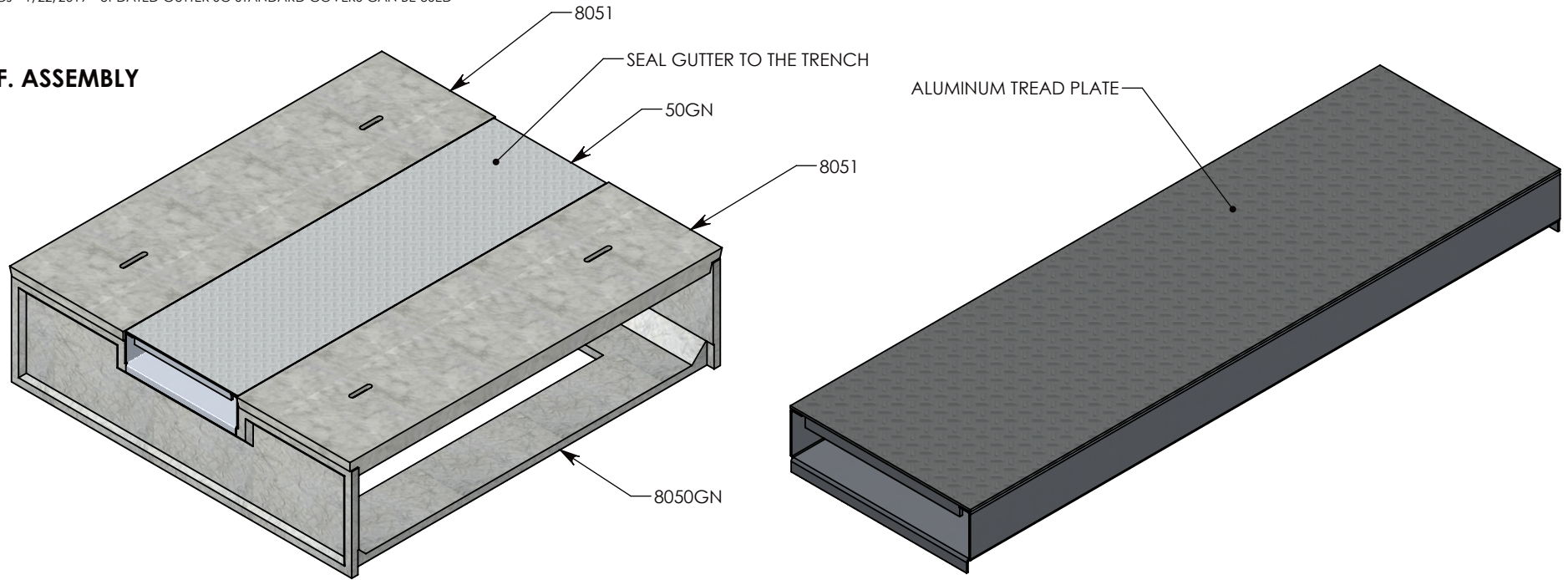


REV. A - RAL - 6/14/2018 - UPDATED GUTTER NOTCH DESIGN AND CHANGED COVERS  
 REV. B - TCJ - 1/22/2019 - UPDATED GUTTER SO STANDARD COVERS CAN BE USED

**REF. ASSEMBLY**



**NOTE 1:** FITS A 8050GN OR A 805016GN CHANNEL.

**NOTE 2:** SEAL THE GAP BETWEEN NOTCH & CHANNEL IN THE FIELD.

PEDESTRIAN RATED - 200 LB. PER SQ. FOOT

<b>DRAWN BY: ROSS LAGER</b>		 1010 NORTH STAR DRIVE P.O. BOX 69 ZUMBROTA, MN 55992-0069	<b>DESCRIPTION: GUTTER NOTCH</b>		SHEET 1 OF 1
<b>DATE: 1/22/2019</b>	<b>REVISION LEVEL: B</b>		<small>DIMENSIONS ARE IN INCHES          TOLERANCES:          FRACTIONAL: ± 1/8"          ANGULAR: ± 2°</small>	<small>CONTACT INFORMATION:          EMAIL: INFO@CONCASTINC.COM          PHONE: (507) 732-4095          FAX: (507) 732-4094</small>	
<b>WEIGHT: 33 LBS.</b>	<b>MATERIAL: WELDED ALUMINUM</b>		<b>PART NUMBER: 50GN</b>		